

4

3

2

1

H

H

G

G

F

F

E

E

D

D

C

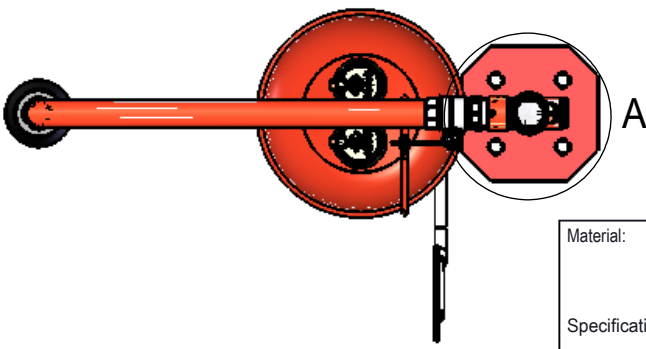
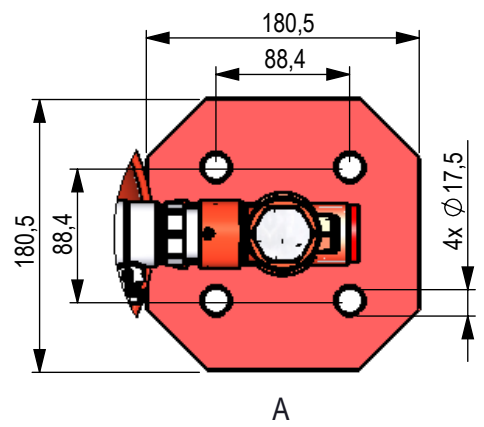
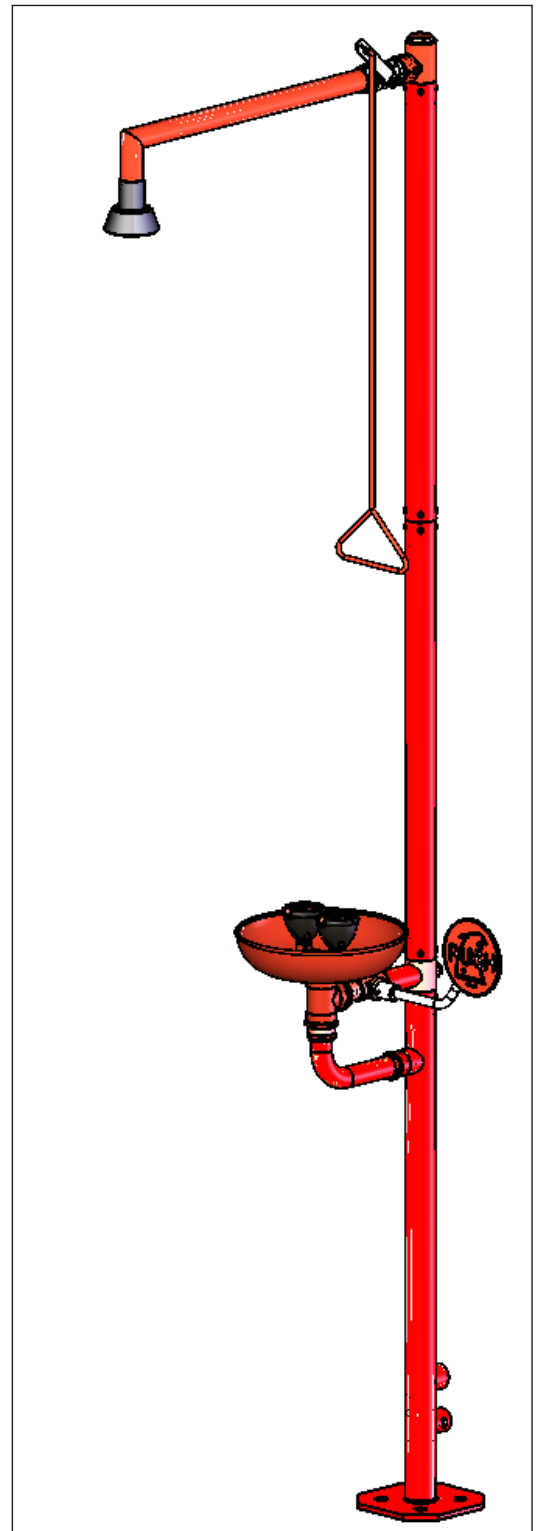
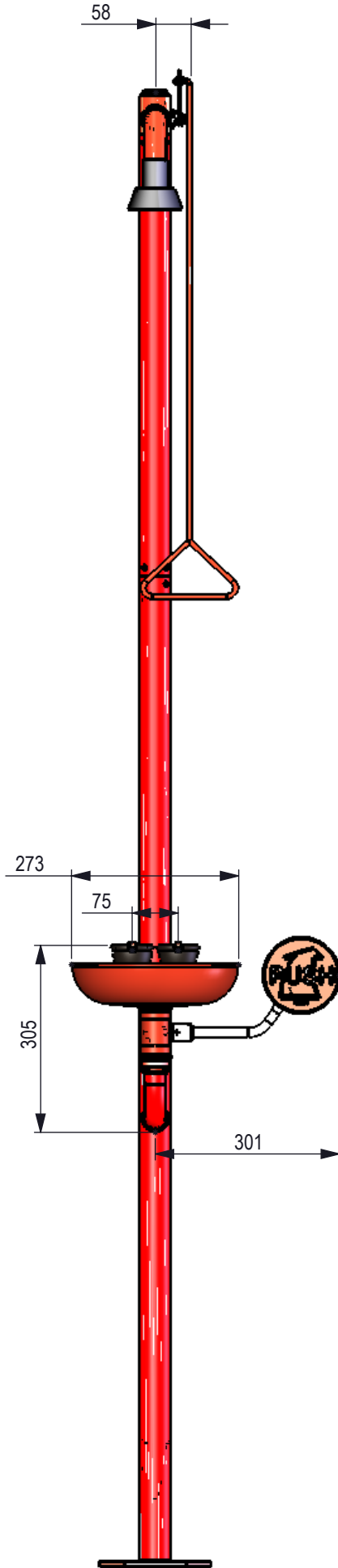
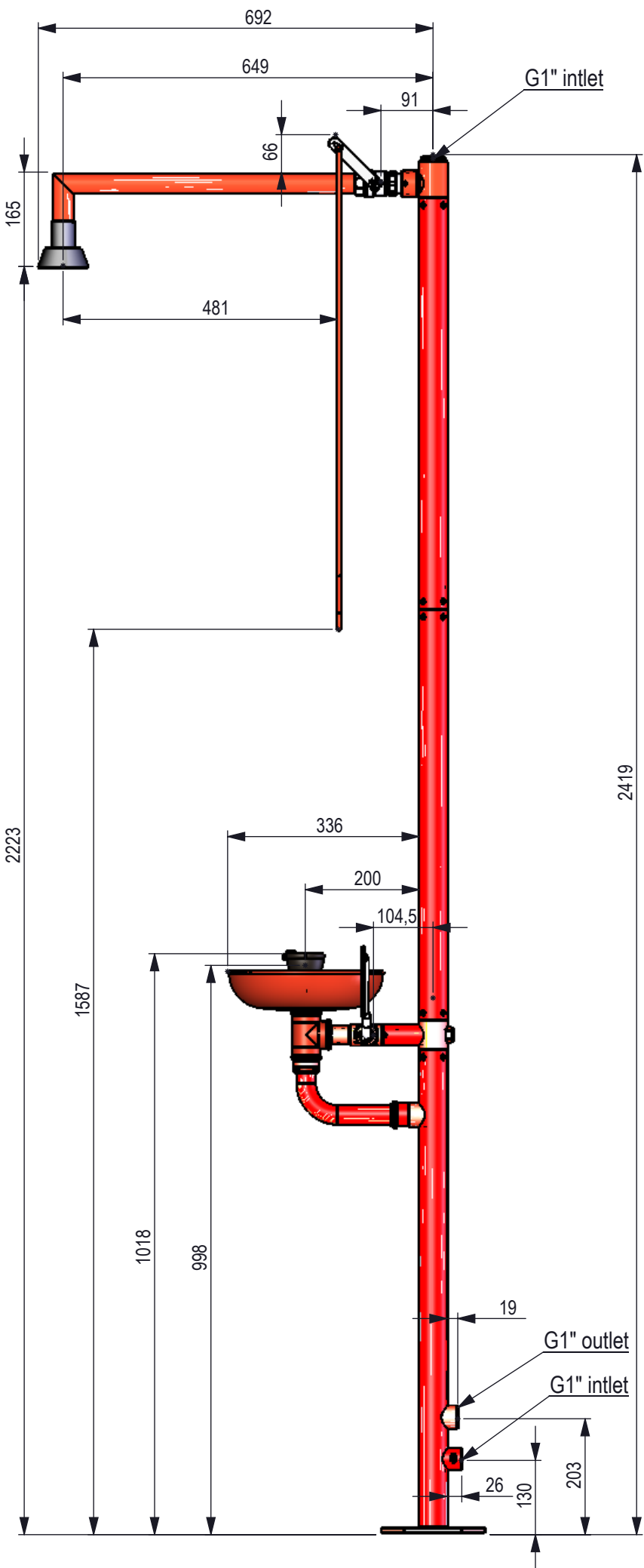
C

B

B

A

A



Material: [None]
 Specification:
 All dimensions made with are inspection dimensions
 Unspecified linear tolerances: ISO2768-VC
 Unspecified angular tolerances: ISO2768-VC

Rev.	A	LNI	12-01-07	5147	1790023B replaced by 1790126
		LNI	27-02-07	5174	96A0013 added to partlist
	Made by:	Date:	TM No.:	Change:	

Description: Body & eye shower with bowl, freestanding, modular

Part: RED- & GREENLINE
 Media: Water

Drawing type: Customer drawing
 Weight: 18,621 Kg.



This drawing is our property and cannot be given to a third party, copied or otherwise used without our permission. BROEN A/S.



Drawing No.: 17956009C

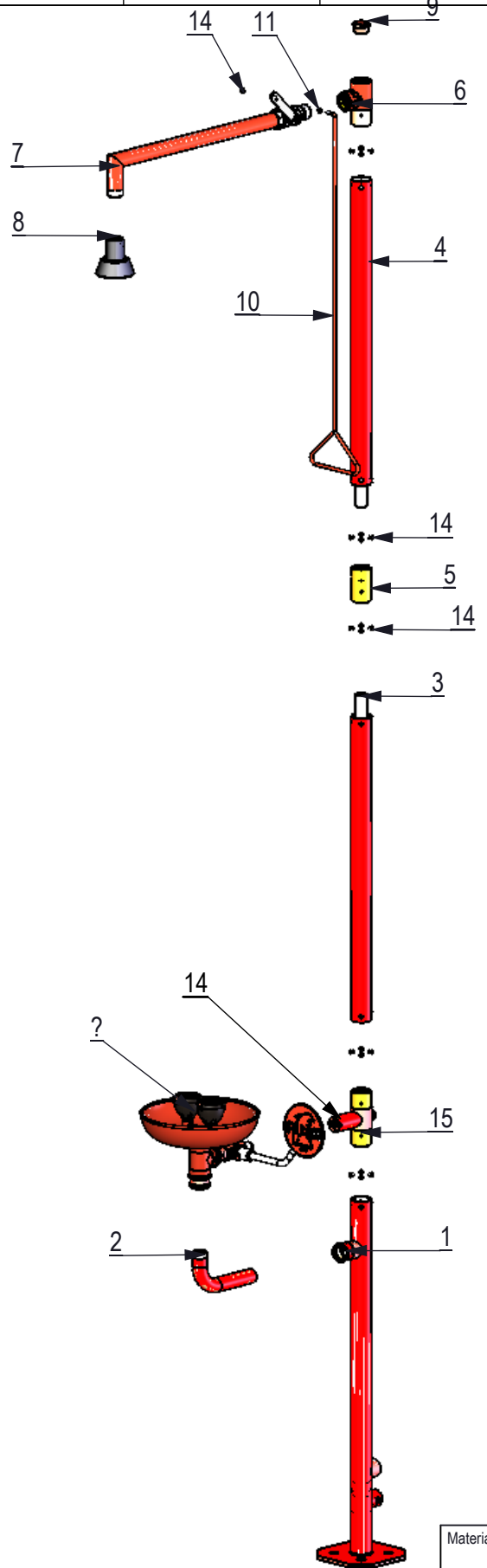
4

3

2

1

ITEM NO.	1795445/QTY.	PartNo	DESCRIPTION	Material	Weight
1	1	17901109B	Part for free standing shower	EN 12164CW 602N (MS58)	4,936
2	1	17900649	Part for free standing shower	EN 12164CW 602N (MS58)	0,202
3	2	1790034	Part for free standing shower	PP-pipe (Polypropylene) Ø25x2,3	0,099
4	2	17900029	Part for free standing shower	EN-No: 1.4301 (AISI304)	1,711
5	1	1790004B	Pipe Coupling	EN 12164CW 602N (MS58)	0,736
6	1	17901329B	Part for free standing shower	[None]	1,260
7	1	17900379B	Part for free standing shower		2,370
8	1	1708500B	Shower head	Noryl GFN 3 (PPO)	0,080
9	1	0482911089	Blind cap, ISO228/1 G1"	EN 12164CW 602N (MS58)	0,109
10	1	17900339	Pull rod	EN-No: 1.4301 (AISI304)	0,269
11	1	92L0015	M6 møtrik	EN-No: 1.4301 (AISI304)	0,003
14	1	92L0016	M6 låsemøtrik	EN-No: 1.4301 (AISI304)	0,003
13	1	97B0205	Part for eye shower	Flowfix. 26l/min	0,002
14	20	1790113	M6 Screw	EN-No: 1.4401 (AISI316)	0,003
15	1	17901439B	Part for free standing shower	[None]	1,736
16	1	1600002	Flow direction label	Chrome	0,018
17	1	1790086B	Eye shower, freestanding, modular		3,305



Rev.	A	LNI	12-01-07	5147	1790023B replaced by 1790126
		LNI	27-02-07	5174	96A0013 added to partlist
		Made by:	Date:	TM No.:	Change:
Description: Body & eye shower with bowl, freestanding, modular					
Part: RED- & GREENLINE					
Media: Water					
Drawing type: Customer drawing				Weight: 18,603 Kg.	

Material:

Specification:

All dimensions made with are inspection dimensions

Unspecified linear tolerances: **ISO2768-VC** Unspecified angular tolerances: **ISO2768-VC**

Comments:

BROEN This drawing is our property and cannot be given to a third party, copied or otherwise used without our permission. BROEN A/S.

Form: 2-100-2 / Rev 2



Drawing No.: **17956009C**