

**BROEN-LAB
EMERGENCY
SHOWER
SYSTEMS**

BROEN-LAB EMERGENCY SHOWER SYSTEMS

BROEN-LAB EMERGENCY SHOWER SYSTEMS



NEW MODELS

- Hand Held
Eye Showers
& Accessories



reddot design award
winner 2013

- Heated Emergency Showers
& Eye Washes



**EMERGENCY
SHOWER SYSTEMS**

BROEN-LAB

HAND-HELD EYE SHOWERS

BROEN has developed new hand-held eye showers, which comply to EN15154-2 and ANSI Z358.1 norms and also offer many improved features.

BROEN EMERGENCY SHOWER SYSTEMS



TECHNICAL SPECIFICATIONS

Min. working pressure: 1.5 bar
 Max. working pressure: 10 bar
 Min. temperature: 5°C
 Max. temperature: 80°C

MATERIALS WITH MEDIA CONTACT

Plastics: PA, POM, TPE
 Metals: SS, AISI 316
 Rubber: EPDM

Materials not in media contact:
 PP, PA, SEBS

SAFETY

- Improved trigger lock
- Improved activation of the shower



OPERATION

- Stay-open dust cap
- Light weight
- Well-balanced construction
- Better spray pattern



RELIABILITY

- Easy-to-clean spray head
- Anti-limescale design and material choice
- Improved functionality
- Longer lifetime



reddot design award
 winner 2013



Eye Shower with Two 45° Heads



No. 27 10 009 10 05 011

Weight: Approx. 0.5 kg

Table mounted eye shower with two 45° angled heads, incl. 1.5m inlet hose. Trigger operated including a built-in check valve and FLOWFIX for regulation of water flow (14 l/min).



Eye Shower with Two 45° Heads



No. 27 10 009 10 03 011

Weight: Approx. 0.5 kg

Wall mounted eye shower with two 45° angled heads, incl. 1.5m inlet hose. Trigger operated including a built-in check valve and FLOWFIX for regulation of water flow (14 l/min).



Eye Shower with a Single 45° Head



No. 27 10 003 10 05 011

Weight: Approx. 0.5 kg

Table mounted eye shower with a single 45° head, incl. 1.5m inlet hose. Trigger operated including a built-in check valve and FLOWFIX for regulation of water flow (7 l/min).



Eye Shower with a Single 45° Head



No. 27 10 003 10 03 011

Weight: Approx. 0.5 kg

Wall mounted eye shower with a single 45° head, incl. 1.5m inlet hose. Trigger operated including a built-in check valve and FLOWFIX for regulation of water flow (7 l/min).



Other configurations are possible - please refer to ordering information on page 3.

HAND-HELD EYE SHOWERS - AVAILABLE MODELS

Shower for General Purpose Rinsing

No. 27 10 001 10 00 001

Weight: Approx. 0.1 kg

Shower for general purpose rinsing. Trigger operated including a built-in check valve. Without FLOWFIX for regulation. Also available as straight model.



€119

Eye Shower with a Single 45° Head

No. 27 10 003 10 00 001

Weight: Approx. 0.2 kg

Eye shower with a single head. Trigger operated including a built-in check valve and FLOWFIX for regulation of water flow (7 l/min).

Also available as straight model.



€144

Eye Shower with Two 45° Heads

No. 27 10 009 10 00 001

Weight: Approx. 0.2 kg

Eye shower with two angled heads. Trigger operated including a built-in check valve and FLOWFIX for regulation of water flow (14 l/min).

Also available as straight model.



€164

ACCESSORIES FOR HAND-HELD EYE SHOWERS

Mounting Accessories (YY):

No. 17 760.300

Table base (M30x1.5, 60mm)

€39



No. 17 760.310

45° Wall base

€39



No. 17 760.320

Wall bracket

€39



No. 17 760.330

Bracket for modular body shower

€41



Signs and Instructions (YY):

No. 17 001.970

Complete set with signs and instructions for eye shower

€22



No. 96M0339

Sign for eye shower (sticker)

€1,50



Hoses and hose accessories (ZZ):

No. 93H40431500

€24

1.5m Silicone hose with a Stainless Steel braiding for hand-held eye showers.



Length 2m: No. 93H40432000
(other lengths on request).

No. 17 701.750

Counter weight/stop for hose:

€10



ORDERING INFORMATION

For ordering a complete hand-held eye shower including accessories, please follow the following structure:

27 10 XXX 10 YY ZZ 1

Serial number

- 001 - Rinsing model, 45°
- 003 - Eye Shower, single, 45°
- 004 - Rinsing model, straight
- 006 - Eye shower, single, straight
- 009 - Eye shower, double, 45°
- 012 - Eye shower, double, straight

Country code

- 10 - International

Accessories

- 00 - None
- 01 - 17 001.970
- 02 - 96M0339
- 03 - 17 001.970 + Wall bracket
- 04 - 17 001.970 + 45° Wall Base
- 05 - 17 001.970 + Table base
- 06 - 96M0339 + Wall bracket
- 07 - 96M0339 + 45° Wall Base
- 08 - 96M0339 + Table base
- 09 - 96M0339 + Bracket for modular body shower

Hose length + Hose accessory

- 00 - None
- 01 - 1.5m with G1/2 union nut
- 02 - 1.5m with G1/2 union nut + stop
- 03 - 2m with G1/2 union nut
- 04 - 2m with G1/2 union nut + stop

For more information and technical datasheets please contact your BROEN sales representative.

EYE SHOWERS FOR WALL MOUNTING

The European Standard EN15154 advise that the water temperature delivered by emergency equipment should be "tepid".

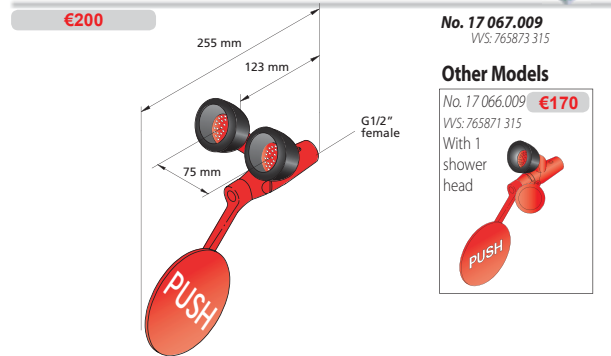
Consequently, BROEN recommends the installation of a Thermostatic Mixing Valve (TMV) with safety shower equipment.

Please refer to page 14 for further information.



BROEN EMERGENCY SHOWER SYSTEMS

Eye Shower, Wall Mounted

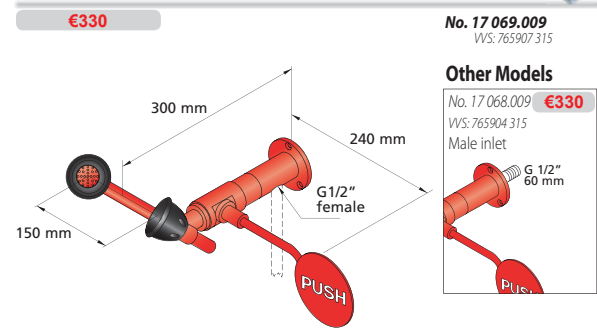


Weight: Approx. 1 kg

Eye shower, wall mounted with two heads in brass with chemical resistant BROEN Polycoat and with built-in BALLOFIX® ball valve for regulation of water amount.

Min. working pressure 1.5 bar

Eye Shower, Wall Mounted

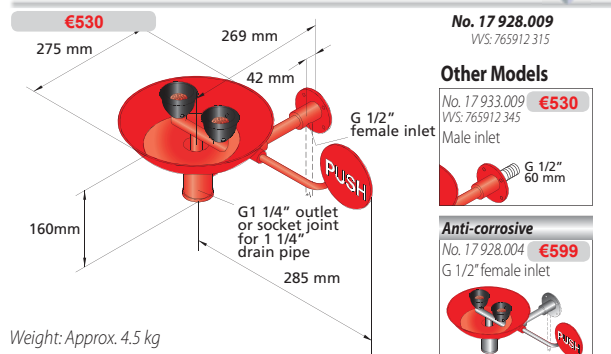


Weight: Approx. 2 kg

Eye shower, wall mounted for exposed pipe work in brass with chemical resistant BROEN Polycoat with built-in FLOWFIX for water regulation (26 l/min).

Min. working pressure: 1.5 bar.

Eye/Face Shower with Bowl, Wall Mounted

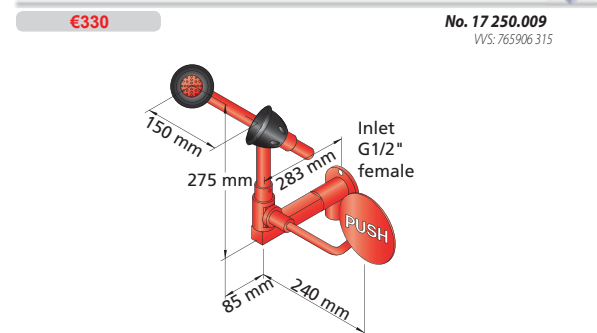


Weight: Approx. 4.5 kg

Eye/Face shower with two heads in brass with chemical resistant BROEN Polycoat and Stainless Steel bowl. Wall mounted for exposed pipe work. The water amount is regulated by a built-in FLOWFIX (26 l/min).

Min. working pressure: 1.5 bar.

Eye Shower, Wall Mounted



Weight: Approx. 4.5 kg

Eye shower, wall mounted in brass with chemical resistant BROEN Polycoat. The water is regulated with a built-in FLOWFIX (26 l/min).

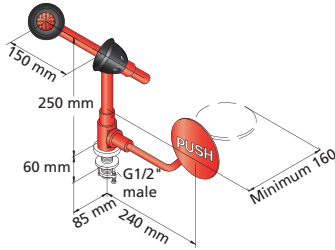
Min. working pressure: 1.5 bar.

EYE SHOWERS FOR TABLE OR SWIVEL MOUNTING

Eye Shower, Table Mounted

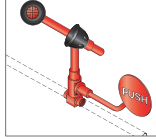
€280

No. 17 200.009
WS: 765905 315



Other Models

No. 17 202.009 €280
WS: 765909 315
For exposed pipe work



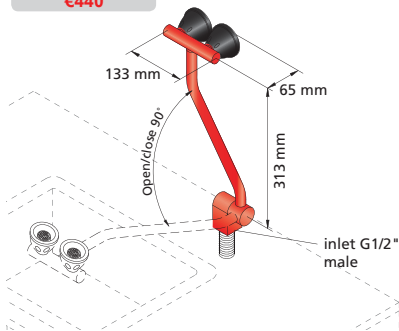
Weight: Approx. 2 kg

Eye shower, table mounted with two heads in brass with chemical resistant BROEN . Water is regulated with a built-in FLOWFIX (26 l/min).
Min. working pressure: 1.5 bar.

Eye Shower, Table Mounted, Swing Down

€440

No. 17 927.009
WS: 765927 315



Other Models

No. 17 242.009 €440
WS: 765928 315
For swivel wall mounting



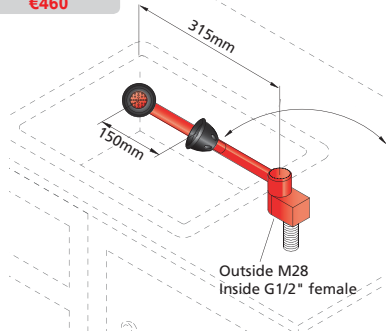
Weight: Approx. 4.5 kg

Eye shower, table mounted, swing down in brass with chemical resistant BROEN Polycoat for mounting on back side of the sink. The water amount is regulated with built-in FLOWFIX (26 l/min).
Min. working pressure: 2 bar.

Eye Shower, Table Mounted, Swivel Joint

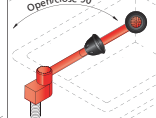
€460

No. 17 231.009
WS: 765926 315



Other Models

No. 17 230.009 €460
WS: 765925 315
For mounting to the left of sink



Weight: Approx. 4 kg

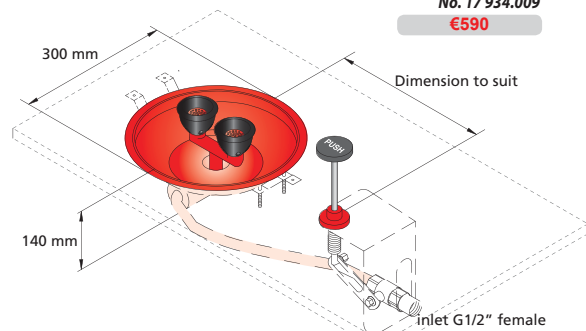
Eye shower, table mounted, swivel joint in brass with chemical resistant BROEN Polycoat for mounting on the right side of sink. The water amount is regulated with the built-in FLOWFIX (26 l/min).
Min. working pressure: 1.5 bar.



BROEN EMERGENCY SHOWER SYSTEMS

Eye/Face Shower with Bowl, Recessed

No. 17 934.009
€590



Weight: Approx. 3.5 kg

Eye/face shower with two heads in brass with chemical resistant BROEN Polycoat and Stainless Steel bowl for recessed mounting on table top, with push-down control. The water amount is regulated with built-in FLOWFIX (26 l/min).
Min. working pressure: 1.5 bar.

SPECIAL FEATURES

GENERAL:

- Choose BROEN Polycoated surface or Stainless Steel.
- Cabinet and cabinet door in Stainless Steel AISI 304.
- Disability-Friendly models comply with ANSI A117.1-2003.
- Easy to mount and install.
- Cabinet can also be surface mounted (except 17 155.009).

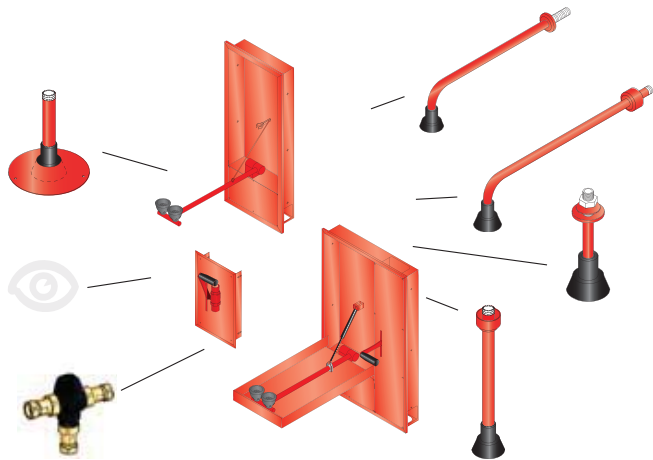
Choose among different body shower outlets by ordering recessed units and outlets separately to fit your exact needs of installation and application.

E.g. : 17 154.009 + 17 110.009

BODY SHOWER:

- Strong integrated handle for operating body shower.
- Free choice of combination between ceiling or wall mounted body shower outlet.
- Easy to mount and install.
- Premounted valve for body shower.

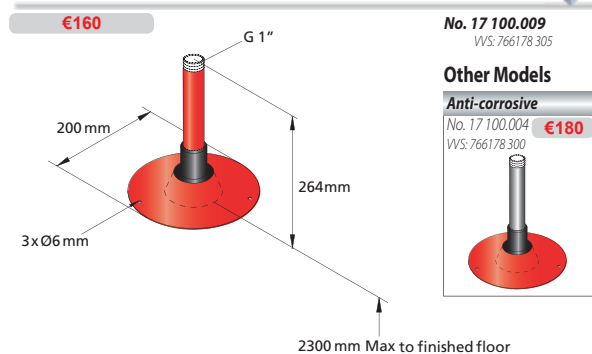
BROEN EMERGENCY SHOWER SYSTEMS



EYE WASH:

- Cabinet and cabinet door in Stainless Steel AISI 304.
- Integrated drain (on models with door).
- Cabinet door catches the water and prevents it from splashing on the floor.
- Filter BALLOFIX® ensures clean shower heads.

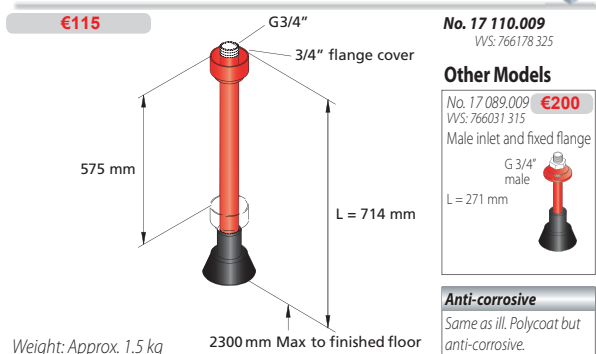
Body Shower Outlet, Ceiling Mounted, Concealed



Weight: Approx. 1 kg

Body shower outlet, ceiling mounted, concealed in Stainless Steel with self-draining shower head. Inlet G 1" male.
Min. working pressure: 1.5 bar.

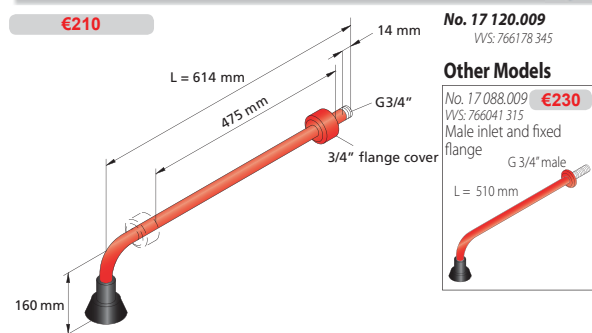
Body Shower Outlet, Ceiling Mounted



Weight: Approx. 1.5 kg

Body shower outlet, ceiling mounted, in brass with chemical resistant BROEN Polycoat with self-draining shower head. Fits different ceiling heights by adjusting the flange. Inlet G 3/4" male.
Min. working pressure: 1.5 bar.

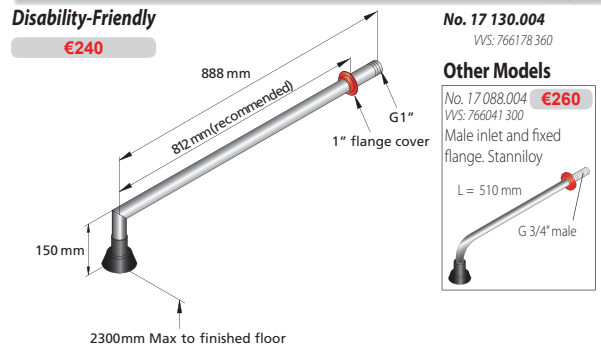
Body Shower Outlet, Wall Mounted



Weight: Approx. 1.5 kg

Body shower outlet, wall mounted, in brass with chemical resistant BROEN Polycoat with self-draining shower head. Inlet G 3/4" male.
With adjustable flange.
Min. working pressure: 1.5 bar.

Body Shower Outlet, Wall Mounted



Weight: Approx. 1.5 kg

Wall mounted body shower outlet in Stainless Steel AISI 304, with self-draining shower head. Inlet G 1" male. With adjustable flange.
Dimensions comply with the requirements of ANSI A117.1-2003.
Min. working pressure: 1.5 bar.

RECESSED EMERGENCY SHOWERS

Eye Shower, Wall Recessed

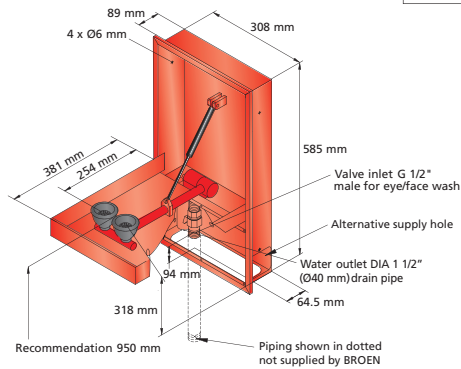
€1100

No. 17 150.009
WS: 766156 305

Other Models

Anti-corrosive

Same as ill. Polycoat but anti-corrosive cabinet.
No. 17 160.009 **€1100**
WS: 766156 300



Weight: Approx. 8 kg

Eye shower, wall recessed with cabinet with chemical resistant BROEN Polycoat, two outlet heads and built-in FLOWFIX (14 l/min). Cabinet door activates the eye wash and catches the water. Min. working pressure: 2 bar.

Eye Shower, Wall Recessed

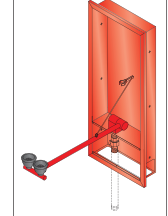
€1199

Disability-Friendly

No. 17 152.009
WS: 766157 325

Other Models

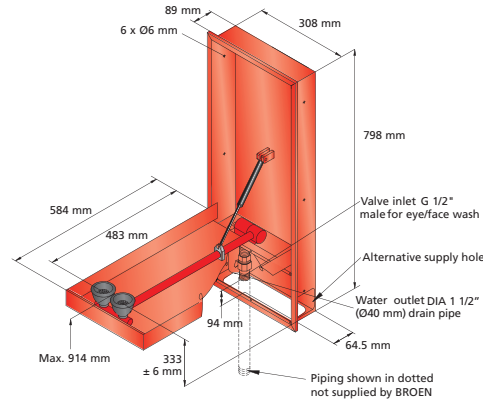
No. 17 151.009 **€1100**
WS: 766157 305
Without cabinet door.



Anti-corrosive

Same as ill. Polycoat but anti-corrosive cabinet.
No. 17 162.009 **€1199**
WS: 766157 320

Without cabinet door
No. 17 161.009 **€1100**
WS: 766157 300



Weight: Approx. 10 kg

Eye shower, wall recessed, disability-friendly with cabinet with chemical resistant BROEN Polycoat, two outlet heads and built-in FLOWFIX (14 l/min). Cabinet door activates the eye wash and catches the water. Min. working pressure: 2 bar.

Eye and Body Shower, Wall Recessed

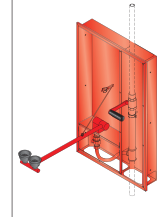
Disability-Friendly

€1599

No. 17 154.009
WS: 766177 325

Other Models

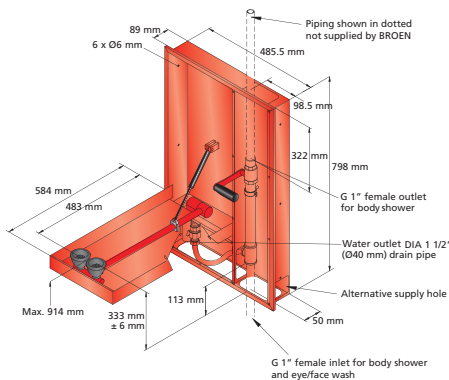
No. 17 153.009 **€1499**
WS: 766177 305
Without cabinet door



Anti-corrosive

Same as ill. Polycoat but anti-corrosive cabinet.
No. 17 164.009 **€1599**
WS: 766177 320

Without cabinet door
No. 17 163.009 **€1499**
WS: 766177 300



Weight: Approx. 16 kg

Eye shower, with 1" valve for body shower, wall recessed, disability-friendly with cabinet with chemical resistant BROEN Polycoat, two outlet heads and built-in FLOWFIX (14 l/min). Cabinet door activates the eye wash and catches the water. Integrated hand activating 1" valve for body shower with various options for shower outlet. Min. working pressure: 2 bar.

Body Shower, Wall Recessed, Hand Activator

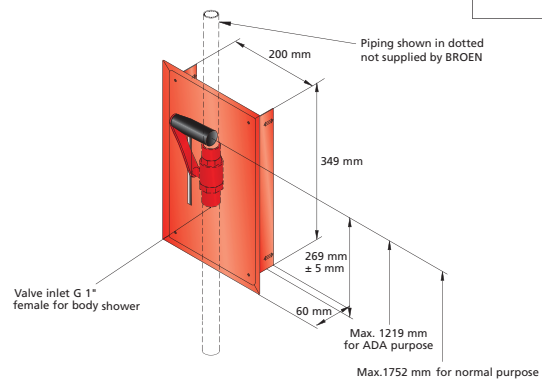
€560

No. 17 155.009
WS: 766176 305

Other Models

Anti-corrosive

Same as ill. Polycoat but anti-corrosive cabinet.
No. 17 165.009 **€560**
WS: 766176 300



Weight: Approx. 2.5 kg

Wall recessed cabinet with chemical resistant BROEN Polycoat and hand activator for body shower with various options for shower outlet. 1" valve for 3/4" or 1" pipe. Min. working pressure: 1 bar.

BROEN EMERGENCY SHOWER SYSTEMS

BODY SHOWERS FOR WALL & CEILING

Body Shower, Ceiling Mounted

Anti-corrosive

No. 17 080.009
WS: 765964 315
€240

Weight: Approx. 2 kg

Body shower, ceiling mounted with self-draining shower head. In brass with chemical resistant BROEN Polycoat. Min. working pressure: 1 bar.

No. 17 976.004
€330

Weight: Approx. 2.5 kg

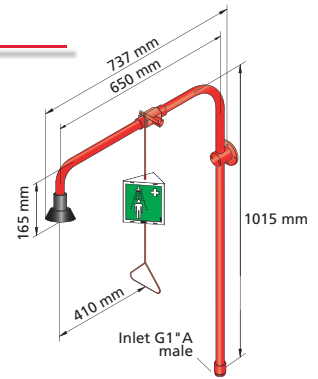
Body Shower, ceiling mounted with self-draining head and adjustable flange. In Stainless Steel and Stanniloy. Min. working pressure: 1 bar.

Body Shower, Wall Mounted

No. 17 973.009
€370

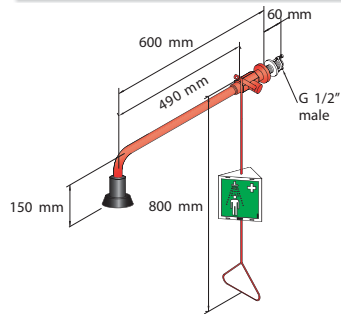
Weight: Approx. 5.5 kg

Body shower, wall mounted with self-draining shower head. In brass with chemical resistant BROEN Polycoat. Min. working pressure: 1 bar.



Body Shower, Wall Mounted

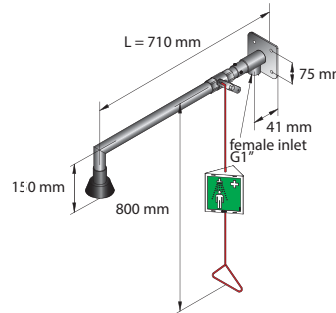
Anti-corrosive - Modular



No. 17 081.009
WS: 765974 315
€275

Weight: Approx. 3 kg

Body shower, wall mounted with self-draining shower head. In brass with chemical resistant BROEN Polycoat. Min. working pressure: 1 bar.



No. 17 970.004
WS: 766162 300
€430

Other Models

No. 17 969.004
WS: 766161 300
€380

Male inlet & flange cover
L = 774 mm

Weight: 4 kg

Body shower, wall mounted, modular in SS & Stanniloy with self-draining shower head for flexible wall mounting with pull rod. Min. working pressure: 1 bar.

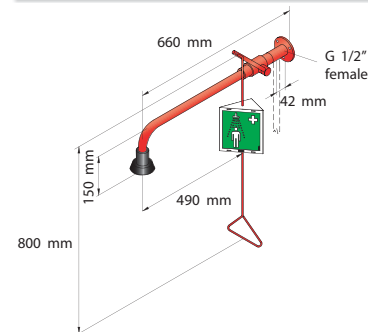
Supporting wall flange can be used for mounting (see page 14)

Body Shower for Exposed Pipework, Wall Mounted

No. 17 082.009
WS: 765984 315
€275

Weight: Approx. 3 kg

Body shower for exposed pipework with self-draining head. In brass with chemical resistant BROEN Polycoat. Min. working pressure: 1 bar.



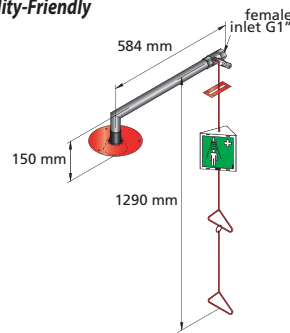
Supporting wall flange can be used for mounting (see page 14)

Concealed Pipework



Anti-corrosive - Modular

Disability-Friendly



No. 17 971.004
WS: 766163 300
€380

Weight: 2.5 kg

Body shower, concealed, modular in SS with self-draining shower head for recessed flexible wall mounting. With extended pull rod for disabled people. Min. working pressure: 1 bar.

Body Shower, Wall Mounted above Door

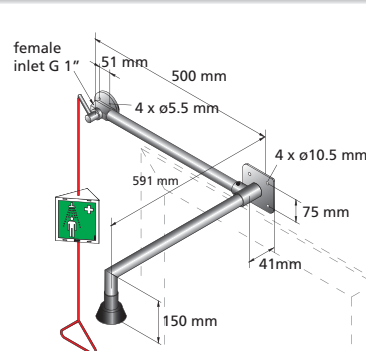
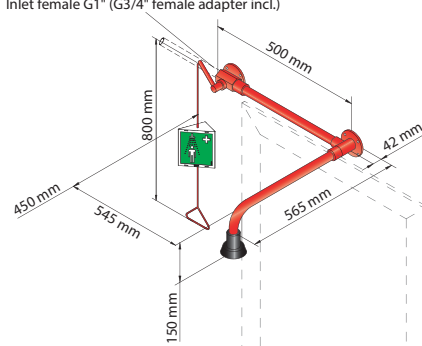
Anti-corrosive - Modular

Inlet female G1" (G3/4" female adapter incl.)

No. 17 087.009
WS: 765992 315
€380

Weight: Approx. 4.5 kg

Body shower, wall mounted above door for exposed pipework with self-draining head. In brass with chemical resistant BROEN Polycoat. Valve to be mounted left or right of door. Min. working pressure: 1 bar.



No. 17 972.004
WS: 766162 340
€620

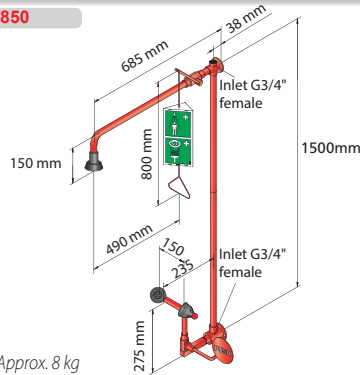
Weight: Approx. 6.5 kg

Body shower, wall mounted above door for exposed pipework with self-draining head. In Stainless Steel and Stanniloy. Valve to be mounted left or right of door. Min. working pressure: 1 bar.

BODY & EYE SHOWERS FOR WALL MOUNTING

Body and Eye Shower, Wall Mounted

€850



Weight: Approx. 8 kg

Body and eye shower, wall mounted in brass with chemical resistant BROEN Polycoat with self-draining shower head. Water inlet at the top or bottom. Eye shower has built-in FLOWFIX (26 l/min). Min. working pressure: 1.5 bar.

No. 17 455.009
VS: 766000 315

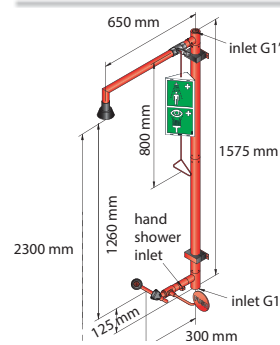
Other Models

No. 17 454.009
VS: 766001 315 **€1050**
Including hand shower

No. 17 452.009
VS: 766002 315 **€980**
With eye/face shower and bowl

Body and Eye Shower, Wall Mounted, Modular

€1050



Weight: Approx. 11 kg

Body and eye shower, wall mounted, modular. In brass and SS with chemical resistant red BROEN Polycoat. Body shower has self-draining shower head. Water inlet at the top or bottom. Eye shower has built-in FLOWFIX (26 l/min). Min. working pressure: 1.5 bar.

No. 17 952.009
VS: 766165 305

Other Models

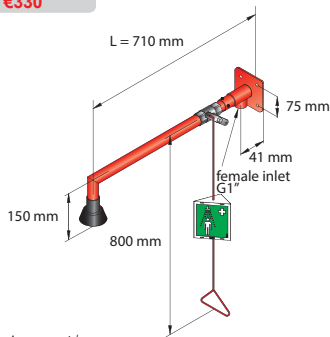
No. 17 953.009 **€1150**
VS: 766165 325
With eye/face shower and bowl

Anti-corrosive

Same as ill. Polycoat but anti-corrosive.
No. 17 963.004 **€1250**
VS: 766165 300
With eye/face shower and bowl
No. 17 964.004 **€1400**
VS: 766165 320

Body Shower, Wall mounted, Modular

€330



Weight: Approx. 4 kg

Body shower, wall mounted, modular. In brass and SS with chemical resistant red BROEN Polycoat with self-draining shower head for flexible wall mounting with pull rod. Min. working pressure: 1 bar.

No. 17 959.009
VS: 766162 305

Other Models

No. 17 958.009 **€330**
VS: 766161 305
Male inlet & flange cover
L = 774 mm

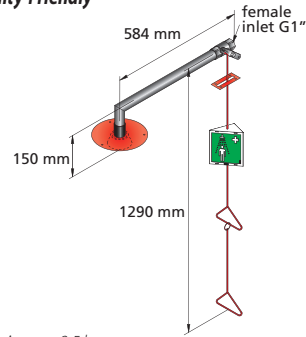
Body Shower, Concealed, Modular



Disability-Friendly

No. 17 960.009
VS: 766163 305

€380



Weight: Approx. 2.5 kg

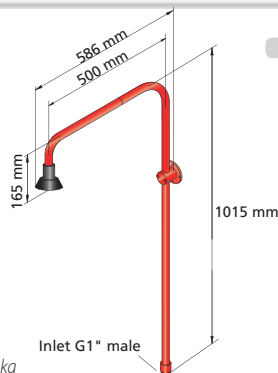
Body shower, concealed, modular. In SS and Chrome/Nickel plated brass with chemical resistant red BROEN Polycoat and self-draining shower head. For recessed flexible wall mounting. With extended pull rod for disabled people. Min. working pressure: 1 bar.

SHOWERS WITH FLEXIBLE CHOICE OF VALVE

Body Shower Outlet for Flexible Choice of Valve



No. 17 974.009
€300



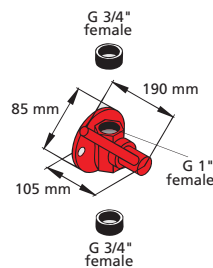
Weight: Approx. 4 kg

Body shower outlet for flexible choice of valve in brass and chemical resistant BROEN Polycoat. Min. working pressure: 1 bar.

Please refer to page 8 for more outlets for flexible choice of valve.

BALLOFIX® ball valve

€120 No. 17 022.009
VS: 766091 315

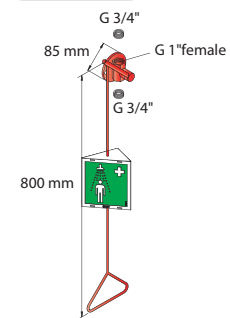


Weight: Approx. 1 kg

Manually hand operated of 1" BALLOFIX® ball valve for 3/4" pipe work.

BALLOFIX® ball valve w./rod

€160 No. 17 028.009

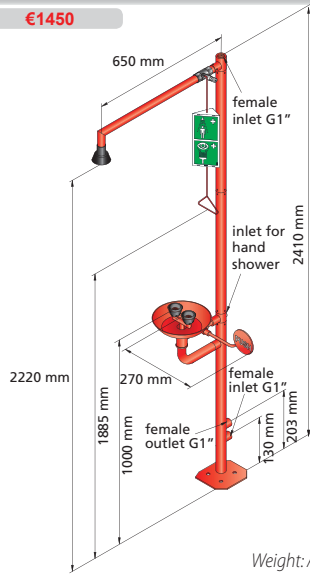


Weight: Approx. 1 kg

Manually rod operated 1" BALLOFIX® ball valve for 3/4" pipe work.

Body Shower with Eye/Face Shower and Bowl, Modular

€1450



Weight: Approx. 17 kg

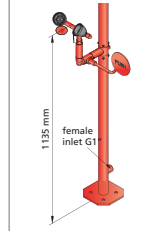
Body shower with eye/face shower and bowl, modular. In brass and SS with chemical resistant red BROEN Polycoat with self-draining shower head. Eye wash with built-in FLOWFIX for regulation of water flow (26 l/min). Bowl in Stainless Steel with integrated outlet. Min. working pressure: 1.5 bar.

No. 17 956.009
VVS: 766171 345

Other Models

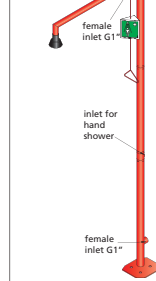
No. 17 955.009 €1300
VVS: 766171 325

With eye shower



No. 17 954.009 €980
VVS: 766171 305

Basic model



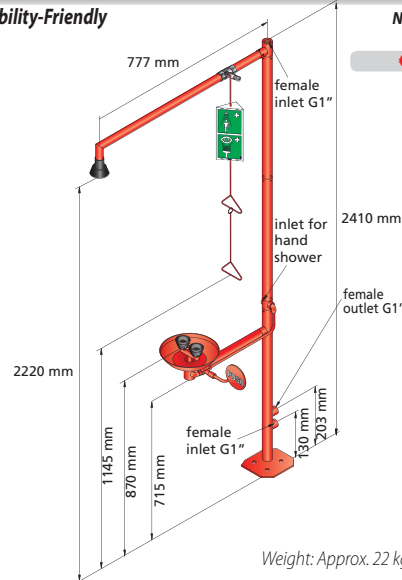
Body Shower with Eye/Face Shower and Bowl, Modular



Disability-Friendly

No. 17 957.009
VVS: 766172 305

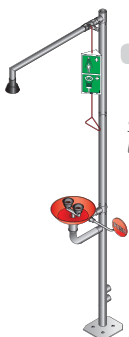
€1700



Weight: Approx. 22 kg

Body shower with eye/face shower and bowl, modular. In brass and SS with chemical resistant red BROEN Polycoat with self-draining shower head. Eye wash with built-in FLOWFIX for regulation of water flow (26 l/min). Bowl in Stainless Steel with integrated outlet. Min. working pressure: 1.5 bar.

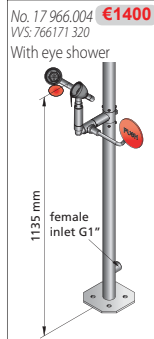
Anti-corrosive - Modular



No. 17 967.004
VVS: 766171 340

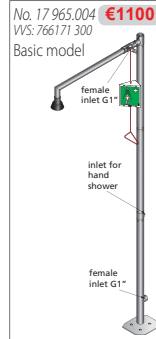
€1600

Same as ill. Polycoat but anti-corrosive.



No. 17 966.004 €1400
VVS: 766171 320

With eye shower



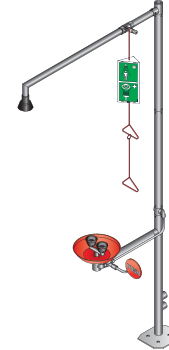
No. 17 965.004 €1100
VVS: 766171 300

Basic model

Anti-corrosive - Modular



Disability-Friendly



No. 17 968.004
VVS: 766172 300

€1900

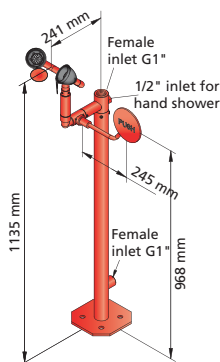
Same as ill. Polycoat but anti-corrosive.

Eye Shower, Free Standing, Modular



No. 17 950.009
VVS: 766152 305

€900



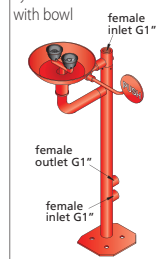
Weight: Approx. 7.5 kg

Eye shower, free standing, modular in brass and SS with chemical resistant red BROEN Polycoat. Built-in FLOWFIX for regulation of water flow (26 l/min). Min. working pressure: 1.5 bar.

Other Models

No. 17 951.009 €1050
VVS: 766152 325

Eye/face shower with bowl



Anti-corrosive - Modular



No. 17 961.004
VVS: 766152 300

€1000

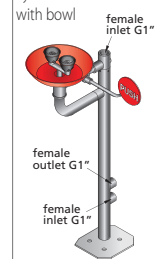


Same as ill. Polycoat but anti-corrosive.

Other Models

No. 17 962.004 €1250
VVS: 766152 320

Eye/face shower with bowl



Thermostatic Mixing Valves for Eye and Body Showers

BROEN TMVs for eye and body showers are thermostatic mixing valves designed for delivering tepid water (20-25°C) for eye/hand or body showers.

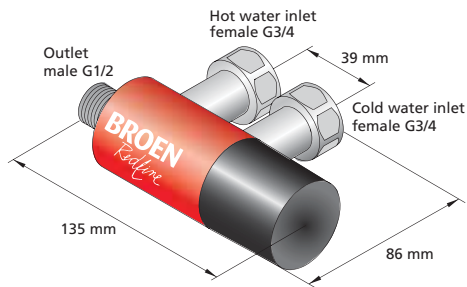
The solution is designed for the operation of one eye/hand shower respectively one body shower.

The mixed temperature is adjusted to tepid water from factory but can easily be adjusted on site by installer or operator.

The TMV incorporates in one body the following features:

- Fail-safe on hot side: If the cold water is interrupted the built-in anti-scalding device will automatically cease the flow of hot water. **AUTOMATIC OPERATION**
- Fail-safe on cold side: If the hot water is interrupted the built-in intentional leak will allow cold water to flow at a sufficient flowrate to ensure operation. **THIS WORKS AUTOMATICALLY AS WELL**
- Including check valves on both hot and cold supply

Thermostatic Mixing Valves for Eye Shower



Weight: Approx. 1.5 kg

No. 17 140.009: (VVS: 766095 315) **€430**

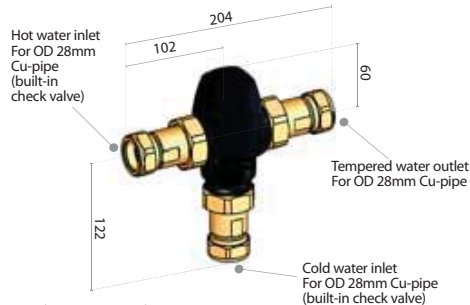
Thermostatic mixing valve for eye shower.

Min. working pressure: 1 bar.

No. 26 140.059: **€55**

Lockable cap for 17 140.009.

Thermostatic Mixing Valves for Body Shower



Weight: Approx. 1.5 kg

No. 17 459.009*: (VVS: 766094 315) **€495**

Thermostatic mixing valve for body shower.

Min. working pressure: 1.5 bar.

No. 17 460.009*: Model with G1" inlet/outlet connections **€495**

**Please note: Reduced temperature stability at low flow rates!*

Signs for Eye and Body Showers

Nr. 17 001.920 **€23**
(Weight: Approx. 0.23 kg)
Sign (pull rod mounted) and instruction card for Body and Eye Shower

Nr. 17 002.27 **€10**
(Weight: Approx. 0.03 kg)
Instruction and Service Sign - Body Shower

Nr. 96M0042 **€2**
(Weight: Approx. 0.01 kg)
Sign for body shower (sticker)

Nr. 17 001.910 **€22**
(Weight: Approx. 0.13 kg)
Sign (pull rod mounted) and instruction card for Body Shower

Nr. 17 002.28 **€10**
(Weight: Approx. 0.03 kg)
Instruction and Service Sign - Body and Eye Shower

Nr. 96M0043 **€2**
(Weight: Approx. 0.01 kg)
Sign for eye shower (sticker)

Nr. 17 002.010 **€23**
(Weight: Approx. 0.15 kg)
Sign (wall mounted) and instruction card for Body and Eye Shower

Nr. 17 002.29 **€10**
(Weight: Approx. 0.03 kg)
Instruction and Service Sign - Eye Shower fountain

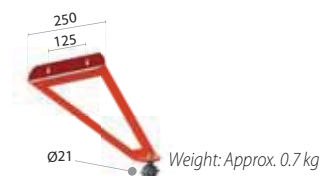
Nr. 17 001.900 **€22**
(Weight: Approx. 0.08 kg)
Sign (wall mounted) and instruction card for Eye Shower

Nr. 17 002.30 **€10**
(Weight: Approx. 0.03 kg)
Instruction and Service Sign - Eye Shower - Hand-Held

Nr. 17 002.000 **€22**
(Weight: Approx. 0.08 kg)
Sign (wall mounted) and instruction card for Body Shower

Nr. 17 002.31 **€10**
(Weight: Approx. 0.03 kg)
Instruction and Service Sign - Body Shower with Hand-Held Eye Shower

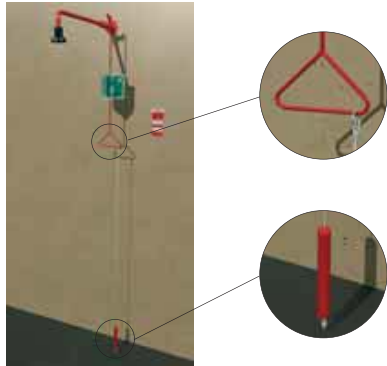
Wall bracket for body showers



No. 17 001.079 **€76**
Wall bracket for support of wall mounted body showers (size 1/2").
Other sizes on request

ACCESSORIES FOR EMERGENCY SHOWERS

Cable



No. 17 901.64 €30

A cable may be installed as a supplement to the pull rod solution i.e. the cable enables the user to activate the shower at floor level.

Flow switch



Weight: Approx. 0,5 kg

Item no.	Material	Size*	PN, bar	
96P0062	brass	G3/4	25	€295
96P0063	brass	G 1 1/4	25	€405
96P0066	SS	G3/4	25	€1170
96P0068	SS	G 1 1/4	25	€1280

* Please note that size of the flow switch should be a size bigger than the inlet of the emergency shower

- Good reliability
- Low pressure loss
- Dirt resistant
- Hermetic separation of electrical and hydraulic components
- Stress free fixation of switch unit by plastic cap

When there is a stream of water in the connection piping to the emergency shower the paddle in the flow switch is triggering an electrical reed switch. This switch can be connected to any type of warning system, such as an alarm central, a horn, a light or similar.

Foot Panel for Operation of Free Standing Body Shower

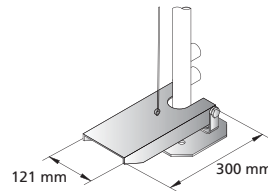


Weight: Approx. 23 kg

No. 17 919.009 (VVS: 766179 300) - **Stainless Steel** €1050
No. 17 834.009 - **Galvanized Steel** €750

Foot panel for operation of body showers. Possible to combine with 17 909.909 if mounted 180° opposite. Delivered with all mounting accessories

Foot Treadle for Operation of Eye Showers



Weight: Approx. 1 kg

No. 17 909.909 (VVS: 766771 310) €160

Foot treadle in aluminium and SS for operation of eye showers. Possible to combine with 17 919.009 if mounted 180° opposite. Delivered with all mounting accessories.

Alarm for Emergency Shower



No. 17 851.95 €295

Signal and light alarm for emergency showers.
 - 112dB(A) output
 - IP66 protection
 - 32 alarm tones
 Working temperature: -20°C to 70°C
 Power supply: 230VAC, 50/60Hz

For operation in Non Ex Proof areas.

Inlet hoses for Emergency Showers



No. 17 701.72 (Male ISO 7/1-R1" - Female G1 union nut connection) €40
No. 17 701.73 (Male ISO 7/1-R1" - OD28mm connection) €40
No. 17 701.74 (Male G3/4 - Female G1 union nut connection) €40

Material: Silicone
 Braiding: Stainless Steel
 Inside diameter: Ø25mm
 Outside diameter: Ø34mm
 Max.working pressure: 10 bar
 Max.working temperature: 90°C

For more information and technical datasheets please contact your BROEN sales representative.

TEST EQUIPMENT FOR EMERGENCY SHOWERS

Test Trolley for Emergency Showers

No. 17 851.92 - model with integrated pump €3595 Ø500mm
No. 17 851.93 - model without pump €2995

Test trolley with or without integrated pump.
 Drainage hose is included. Capacity: 90 l
 Can be used for heated and unheated emergency showers.

Weight: Approx. 22 kg



Test Funnel for Emergency Showers

No. 17 001.08 €149 Ø320mm

Test funnel for testing of emergency showers in PE (Polyethylene) with 2.2m hose.



EYE WASH BOTTLES

Duo Eye Wash Bottle, 500ml pH Neutral

No. P7 17 003 10 00 000 €26

DUO 500ml pH neutral.
 Sterile 4.9 % Phosphate buffer solution.
 For neutralizing acids and alkalis.
 Complete with an eye device for washing both eyes at the same time.
 Durability 3 years.
 Full box with 6 units available.



Eye Wash Bottle (single eye), 200ml pH Neutral

No. P7 17 004 10 00 000 €21

200ml pH neutral.
 A small, handy bottle containing 4.9% sterile phosphate buffer solution that neutralizes the eye's fluid after accidents involving acids or alkali.
 The bottle is provided with an ergonomic eye cup, a dust cap and clear instructions on the label.
 Durability 3 years.
 Full box with 10 units available.



Duo Eye Wash Bottle, 500ml Sterile Solution

No. P7 17 002 10 00 000 €24

DUO 500ml Sterile.
 Bottle containing a 0.9% sterile sodium chloride solution. Complete with an eye device for washing both eyes at the same time.
 Durability 3 years.
 Full box with 12 units available.



Eye Wash Bottle (single eye), 500ml Sterile Solution

No. P7 17 001 10 00 000 €14

500ml Sterile.
 Bottle containing a 0.9% sterile sodium chloride solution.
 The bottle is provided with an ergonomic eye cup, a dust cap and clear instructions on the label.
 Durability 3 years.
 Full box with 12 units available.



Eye Wash Station

No. P7 33 001 10 00 402 €67

Dust-proof wall mounted eye wash station in ABS plastic for two 500ml eye wash bottles + one 200ml eye wash bottle.
 Especially suitable for dirty and dusty production areas and mobile work places.



Eye Wash Station (classic model)

No. P7 33 002 10 00 402 €54

Dust-proof wall mounted eye wash station in polystyrene for two 500ml eye wash bottles.
 Especially suitable for dirty and dusty production areas and mobile work places.



Wall Mount for Eye Washes (Duo or single eye)

No. P7 53 001 10 00 409 €5

Wall mount for pH neutral solutions (blue)



No. P7 53 001 10 00 402

Wall mount for sterile solutions (green) €5

Wall Mount for Eye Washes (single eye)

No. P7 53 002 10 00 409 €5

Wall mount for pH neutral solutions (blue)



No. P7 53 002 10 00 402

Wall mount for sterile solutions (green) €5

For more information and technical datasheets please contact your BROEN sales representative.

HAND-HELD EYE SHOWERS - CLASSIC MODELS

Shower for General Purpose without FLOWFIX, Hand-Held

No. 17 701.500 €160
VVS: 765955 345

Weight: Approx. 0.5 kg

Shower for general purpose, hand-held in Polyarylamide, reinforced with glassfibres. Trigger operated without FLOWFIX regulator.



No. 17 701.000 €190
VVS: 765955 315

Weight: Approx. 0.5 kg

Including table mounting accessories



No. 17 711.000 €190
VVS: 765942 315

Weight: Approx. 0.5 kg

Including bracket for wall mounting.



No. 17 731.009 €190
VVS: 766108 305

Weight: Approx. 0.5 kg

Including bracket for modular body showers



Anti-corrosive

No. 17 741.504

Same as model above but in SS and stanilloy.

€180



Anti-corrosive

No. 17 741.204

Same as model above but in SS and stanilloy.

€210



Anti-corrosive

No. 17 741.104

Same as model above but in SS and stanilloy.

€210

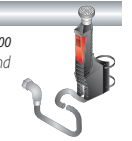


Anti-corrosive

No. 17 741.004 / VVS: 766108 300

Same as model above but in SS and stanilloy.

€210



Eye Shower with One Straight Head, Hand-Held

No. 17 702.500 €190
VVS: 765956 345

Weight: Approx. 0.5 kg

hand-held eye shower in Polyarylamide, reinforced with glassfibres. Trigger operated including a built-in FLOWFIX for regulation of water flow (8 l/min).



No. 17 702.000 €220
VVS: 765956 315

Weight: Approx. 0.5 kg

Including table mounting accessories



No. 17 712.000 €220
VVS: 765944 315

Weight: Approx. 0.5 kg

Including bracket for wall mounting.



No. 17 732.009 €220
VVS: 766101 305

Weight: Approx. 0.5 kg

Including bracket for modular body showers



Anti-corrosive

No. 17 742.504

Same as model above but in SS and stanilloy.

€220



Anti-corrosive

No. 17 742.204

Same as model above but in SS and stanilloy.

€240



Anti-corrosive

No. 17 742.104 / VVS: 765944 300

Same as model above but in SS and stanilloy.

€240



Anti-corrosive

No. 17 742.004 / VVS: 766101 300

Same as model above but in SS and stanilloy.

€240



Eye Shower with One Angled Head, Hand-Held

No. 17 713.500 €230
VVS: 765954 315

Weight: Approx. 1 kg

Eye shower with one angled head, hand-held. In Polyarylamide, reinforced with glassfibres. Trigger operated including a built-in FLOWFIX for regulation of water flow (8 l/min).



No. 17 717.000 €260
VVS: 765954 315

Weight: Approx. 1 kg

Including table mounting accessories



No. 17 713.000 €260
VVS: 765946 315

Weight: Approx. 1 kg

Including bracket for wall mounting.



No. 17 733.009 €260
VVS: 766102 305

Weight: Approx. 1 kg

Including bracket for modular body showers



Anti-corrosive

No. 17 743.504

Same as model above but in SS and stanilloy.

€250



Anti-corrosive

No. 17 743.204

Same as model above but in SS and stanilloy.

€280



Anti-corrosive

No. 17 743.104

Same as model above but in SS and stanilloy.

€280



Anti-corrosive

No. 17 743.004 / VVS: 766102 300

Same as model above but in SS and stanilloy.

€280



Eye Shower with Two Angled Heads, Hand-Held

No. 17 715.500 €270
VVS: 765957 315

Weight: Approx. 1.5 kg

Eye shower with two angled heads, hand-held. In Polyarylamide, reinforced with glassfibres. Trigger operated with BALLOFIX* included for regulation of water. Min. inlet pressure, dynamic: 1.5 bar / 22 psi flow.



No. 17 714.000 €300
VVS: 765957 315

Weight: Approx. 1.5 kg

Including table mounting accessories



No. 17 715.000 €300
VVS: 765908 315

Weight: Approx. 1.5 kg

Including bracket for wall mounting.



No. 17 734.009 €300
VVS: 766103 305

Weight: Approx. 1.5 kg

Including bracket for modular body showers



Anti-corrosive

No. 17 744.504

Same as model above but in SS and stanilloy.

€300



Anti-corrosive

No. 17 744.204

Same as model above but in SS and stanilloy.

€320



Anti-corrosive

No. 17 744.104

Same as model above but in SS and stanilloy.

€320



Anti-corrosive

No. 17 744.004 / VVS: 766103 300

Same as model above but in SS and stanilloy.

€320

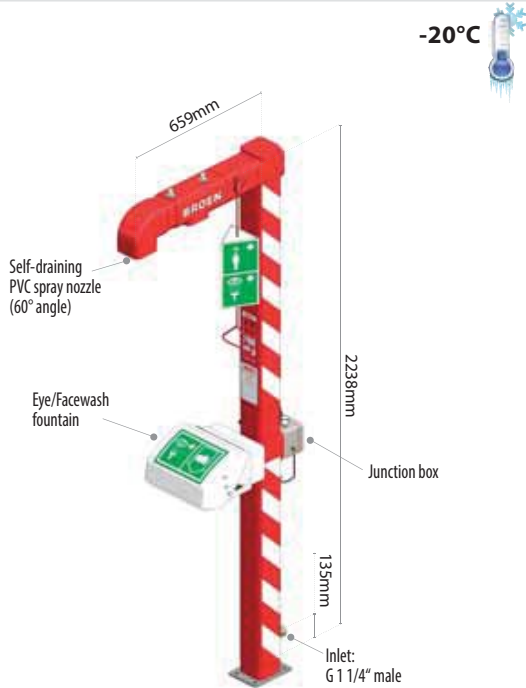


Min. working pressure: 1.5 bar for all Eye Showers on this page.

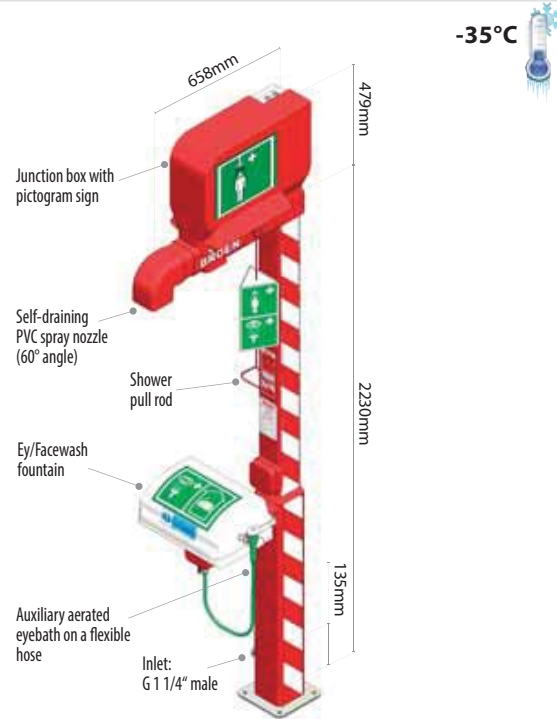
HEATED COMBINATION SHOWERS

Frost protected outdoor combination safety showers, trace tape heated and pre-insulated. Delivered with eye/facewash fountain and additional eyebath diffuser on flexible hose to treat unconscious or disabled personnel. Available in Galvanized or Stainless Steel.

Heated Body Shower - Free Standing with Eye Wash Fountain



Heated Body Shower - Free Standing with Eye Wash Fountain



BROEN EMERGENCY SHOWER SYSTEMS

TECHNICAL SPECIFICATIONS

Min. working pressure: 2 Bar
Min. working temperature: -20°C
Water Flow: 115 l/min.
Supply voltage: 230 VAC, 50/60 Hz

Heated underground extension pipe (ordered separately, see page 22 for more information)




TECHNICAL SPECIFICATIONS

Min. working pressure: 2 Bar
Min. working temperature: -35°C
Water Flow: 115 l/min.
Supply voltage: 230VAC, 50/60Hz

Heated underground extension pipe (ordered separately, see page 22 for more information)



ORDERING INFORMATION

	BROEN item no.	Material	 Ex-proof*	Min. working temperature	Eye wash fountain	Mounting	Heated underground extension pipe
€4255	H7 41 002 10 00 321	Galvanized Steel	Yes	-20°C	Yes	Floor	Available
€4615	H7 41 002 10 00 221	Stainless Steel	Yes	-20°C	Yes	Floor	Available
€7090	H7 41 001 10 00 341	Galvanized Steel	Yes	-35°C	Yes	Floor	Available
€7345	H7 41 001 10 00 241	Stainless Steel	Yes	-35°C	Yes	Floor	Available
€6040	H7 41 001 10 00 331	Galvanized Steel	No	-35°C	Yes	Floor	Available
€6295	H7 41 001 10 00 231	Stainless Steel	No	-35°C	Yes	Floor	Available

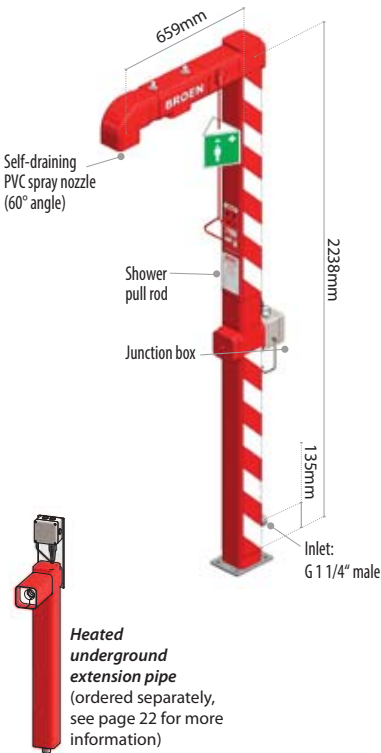
*Ex-proof zone 1 and zone 2.

For more information and technical datasheets please contact your BROEN sales representative.

HEATED BODY SHOWERS

Frost protected outdoor combination safety showers, trace tape heated and pre-insulated.
Available in Galvanized or Stainless Steel.

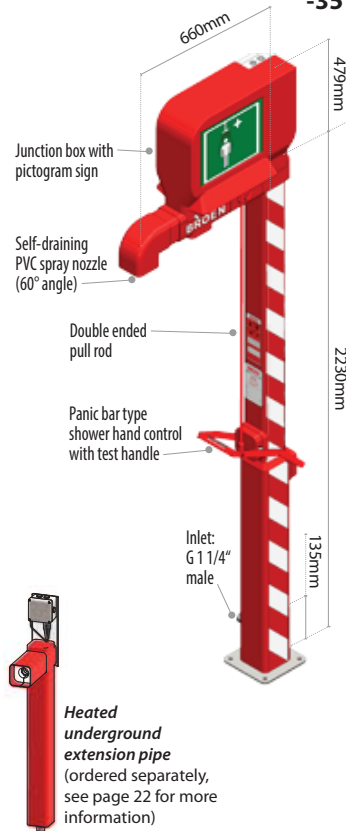
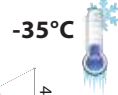
Heated Body Shower - Free Standing



TECHNICAL SPECIFICATIONS

Min. working pressure: 2 Bar
Min. working temperature: -20°C
Water Flow: 115 l/min.
Supply voltage: 230VAC, 50/60Hz

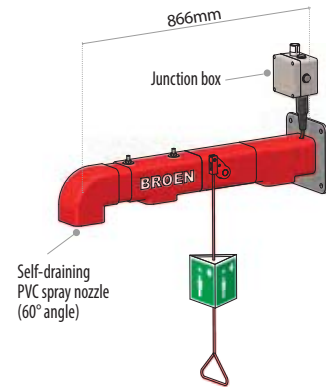
Heated Body Shower - Free Standing



TECHNICAL SPECIFICATIONS

Min. working pressure: 2 Bar
Min. working temperature: -35°C
Water Flow: 115 l/min.
Supply voltage: 230VAC, 50/60Hz

Heated Body Shower - Wall Mounted



TECHNICAL SPECIFICATIONS

Min. working pressure: 2 Bar
Min. working temperature: -20°C
Water Flow: 115 l/min.
Supply voltage: 230VAC, 50/60Hz

BROEN EMERGENCY SHOWER SYSTEMS

ORDERING INFORMATION

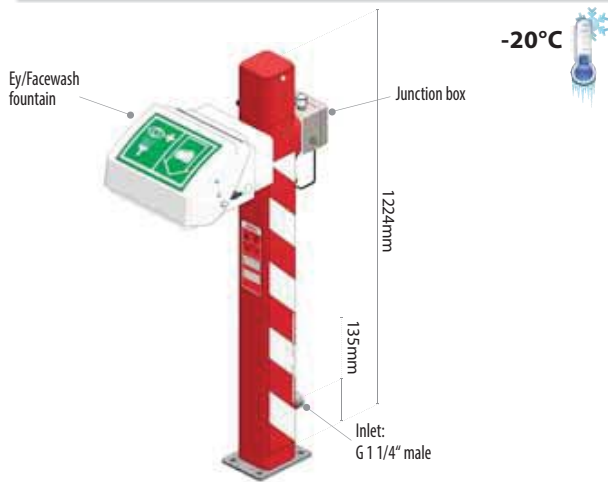
	BROEN item no.	Material	Ex-proof*	Min. working temperature	Eye wash fountain	Mounting	Heated underground extension pipe
€3250	H7 21 002 10 00 321	Galvanized Steel	Yes	-20°C	No	Floor	Available
€3670	H7 21 002 10 00 221	Stainless Steel	Yes	-20°C	No	Floor	Available
€5830	H7 21 001 10 00 341	Galvanized Steel	Yes	-35°C	No	Floor	Available
€5875	H7 21 001 10 00 241	Stainless Steel	Yes	-35°C	No	Floor	Available
€4780	H7 21 001 10 00 331	Galvanized Steel	No	-35°C	No	Floor	Available
€4825	H7 21 001 10 00 231	Stainless Steel	No	-35°C	No	Floor	Available
€2155	H7 23 001 10 00 321	Galvanized Steel	Yes	-20°C	-	Wall	-
€2365	H7 23 001 10 00 221	Stainless Steel	Yes	-20°C	-	Wall	-

*Ex-proof zone 1 and zone 2.

For more information and technical datasheets please contact your BROEN sales representative.

HEATED EYE SHOWERS

Heated Eye Wash Fountain, Pedestal Mounted



Outdoor pedestal mounted emergency eye/facewash fountain, trace tape heated and pre-insulated. Delivered with “unbreakable” integral lid, aerated diffusers, flow regulator and self-adhesive sign.

Available in Galvanized or Stainless Steel.

TECHNICAL SPECIFICATIONS

Min. working pressure: 2 Bar
 Min. working temperature: -20°C
 Water Flow: 20 l/min.
 Supply voltage: 230VAC, 50/60Hz

Heated underground extension pipe (ordered separately, see page 22 for more information)



ORDERING INFORMATION

	BROEN item no.	Material	 Ex-proof*	Min. working temperature	Mounting	Heated underground extension pipe
€2995	H7 31 001 10 00 321	Galvanized Steel	Yes	-20°C	Floor	Available
€3205	H7 31 001 10 00 221	Stainless Steel	Yes	-20°C	Floor	Available

*Ex-proof zone 1 and zone 2.

MOBILE & PORTABLE EMERGENCY SHOWERS

Mobile Emergency Safety Shower is designed as a quick response, first-aid device for use where a plumbed-in unit is not available and must therefore be backed up by a method of further decontamination.


Mobile Self Contained Emergency Safety Shower



TECHNICAL SPECIFICATIONS

Capacity: 114 l
 Min. working temperature: -10°C
 Water Flow: 40 l/min.
 Supply voltage: 230VAC, 50/60Hz

ORDERING INFORMATION

	BROEN item no.	Material	 Ex-proof*	Min. working temperature
€9865	H7 47 002 10 00 311	Galvanized & SS	no	-10°C
€10705	H7 47 002 10 00 321	Galvanized & SS	Yes	-10°C
€7555	H7 47 002 10 00 301	Galvanized & SS	no	+1°C (unheated)

*Ex-proof zone 1 and zone 2.

Portable Emergency Eye, Face and Body Shower (Unheated)



No. H7170011000303

€1295

TECHNICAL SPECIFICATIONS

Capacity: 15 l
 Min. working temperature: +1°C
 Water Flow: 8 l/min.
 Material: Stainless Steel cylinder

Mobile Self Contained 1200 L Shower and Eyewash incl. Pump



No. H7470031000331

€21795

TECHNICAL SPECIFICATIONS

Capacity: 1200 l
 Min. working temperature: -10°C
 Water Flow: 75 l/min.
 Supply voltage: 230VAC, 50/60Hz
 Material:
 - Galvanized mild steel trailer
 - Red polyethylene tank

HEATED TANK SHOWERS

A range of heavy duty emergency tank showers, for use when warm water is required, or a constant supply of water cannot be guaranteed.

These units are essential where there is a problem with insufficient water pressure or inadequate flow rate. This improved range incorporates models to suit a wide range of situations.

Body Shower with Eye Wash Fountain & 350 l tank



Body Shower with Eye Wash Fountain & 1200 l tank



Standard Configuration

- 350 or 1200 l tank in medium density polythene
- Support legs and frame in galvanized or Stainless Steel
- Rear and side GRP panelling
- Visual level indicator
- Body shower
- Eye/facewash fountain
- Shower control panic bar
- Foot panel for body shower

TECHNICAL SPECIFICATIONS

Min. working temperature: -35°C
Water Flow: 75 l/min.
Supply voltage: 230VAC, 50/60Hz

*750l tank shower is available on request

BROEN EMERGENCY SHOWER SYSTEMS

Tank showers are available in three sizes:

The **350 liter** model supplies a guaranteed flow of warm water for several minutes.

With the mains supply permanently connected, the **750* liter** model will deliver warm water for 15 minutes, recommended by ANSI Z 358.1 and EN15154-1&2 standards.


The **1200 liter** models will meet the mentioned standards even without an external supply connected.

Available in Galvanized or Stainless Steel.

For areas with high outside temperatures models with chillers can be supplied.

Unheated models are also available.

ORDERING INFORMATION

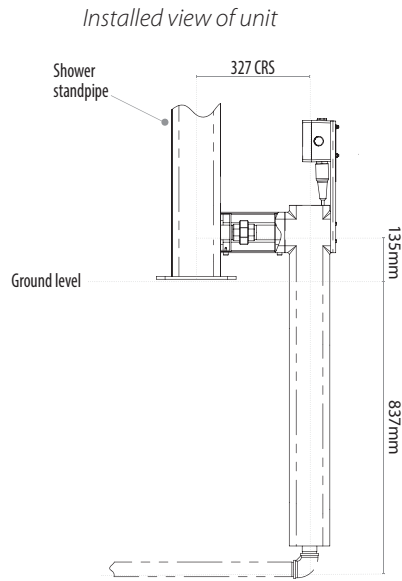
	BROEN item no.	Material	 Ex-proof*	Min. working temperature	Eye wash fountain	Tank volume
€12595	H7 61 001 10 01 341	Galvanized Steel	Yes	-35°C	Yes	350 l
€15745	H7 61 001 10 01 241	Stainless Steel	Yes	-35°C	Yes	350 l
€11545	H7 61 001 10 01 331	Galvanized Steel	No	-35°C	Yes	350 l
€14695	H7 61 001 10 01 231	Stainless Steel	No	-35°C	Yes	350 l
€18895	H7 61 003 10 01 341	Galvanized Steel	Yes	-35°C	Yes	1200 l
€22575	H7 61 003 10 01 241	Stainless Steel	Yes	-35°C	Yes	1200 l
€17845	H7 61 003 10 01 331	Galvanized Steel	No	-35°C	Yes	1200 l
€20740	H7 61 003 10 012 31	Stainless Steel	No	-35°C	Yes	1200 l

*Ex-proof zone 1 and zone 2.

For more information and technical datasheets please contact your BROEN sales representative.

ACCESSORIES FOR HEATED SHOWERS

Heated Underground Extension Pipe for Heated Body Showers




Heated underground extension pipe, trace tape heated and pre-insulated. To be used for connecting to an underground supply. Available in Galvanized or Stainless Steel.

TECHNICAL SPECIFICATIONS

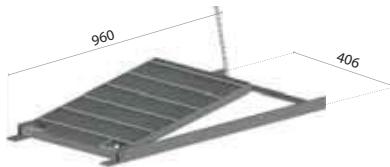
Min. working temperature: -35°C
Supply voltage: 230VAC, 50/60Hz

ORDERING INFORMATION

BROEN item no.	Material	 Ex-proof*	Min. working temperature	Mounting
€1045 H7 51 001 10 00 321	Galvanized Steel	Yes	-35°C	Underground
€1315 H7 51 001 10 00 221	Stainless Steel	Yes	-35°C	Underground

*Ex-proof zone 1 and zone 2.

Foot Panel for Operation of Heated Eye Wash



Weight: Approx. 23 kg

No. 17 803.009 (VVS: 766198 803) - **Stainless Steel version** €1050

No. 17 833.009 - **Galvanized Steel version** €750

Foot panel or treadle for operation of **heated body shower** is also available - contact your BROEN sales representative for further information.

Foot Treadle for Operation of Heated Eye Wash



No. 17 804.009 (VVS: 766198 804) - **Stainless Steel version** €368

For heated eye washes operational down to -20°C

No. 17 805.009 - **Stainless Steel version** €395

For heated eye washes operational down to -35°C

For more information and technical datasheets please contact your BROEN sales representative.

BROEN-LAB A/S develops, manufactures and delivers complete range of fittings for professional laboratories. Our know-how and our quality products ensure the precise flow of water, gases and air, from source to user.

BROEN-LAB A/S solutions are used by professional users in many kinds of laboratories, from the education and health sectors to industry in general. Our products are already an integrated part of many workplaces. From fittings for purified water, nitrogen, vacuum and compressed air, to the control and regulation of pure gases in critical applications such as a gas chromatography and spectrometry.

Our extensive knowledge allows us to continually develop and optimize our products so that they meet customer needs and specifications. Safety, functionality and quality are an integral part of product design and flexibility. Our insight and understanding of working environments and safety in laboratories allow us to develop custom solutions for projects around the world. Use us to plan your project so we can advise you on laboratory layout and design.

HEAD OFFICE

BROEN-LAB A/S

Drejevænget 2 • DK-5610 Assens
Tel. +45 6471 2095 • Fax +45 6471 2476
E-mail: lab@broen-lab.com

Deutscher Kontakt

Tel. +45 6373 2252 • Fax +45 6471 2476
E-mail: info@broen.de



BROEN LAB GROUP ISO 9001 certification

In September 1991 BROEN LAB GROUP was certified according to ISO 9001 as one of the first Danish companies. The certification was carried out by Bureau Veritas, Denmark, for our Danish site at Assens.

The quality management system of BROEN LAB GROUP now complies with detailed specifications laid down by the internationally acknowledged EN ISO 9001:2008. This certification will further contribute to BROEN LAB GROUP's reputation for quality and reliability.

INTERNATIONAL OFFICES

BROEN-LAB Ltd.

Unit 9 Navigation Point, Golds Hill Way
Tipton • West Midlands DY4 0PY • U.K.
Tel. +44 121 522 4515 • Fax +44 121 522 4535
E-mail: broenvalves@broen.com

BROEN-LAB Singapore Pte. Ltd.

10 Bukit Batok Crescent #10-02 • The Spire S(658079) • Singapore
Tel: +65 6298 0662 • Fax: +65 6298 0468
E-mail: sales@broen.com.sg

www.broen-lab.com

BROEN-LAB