

Slate

Pro Kitchen Mixer

Article no.: 6512874
Finish: Chrome/Black
Series: Slate

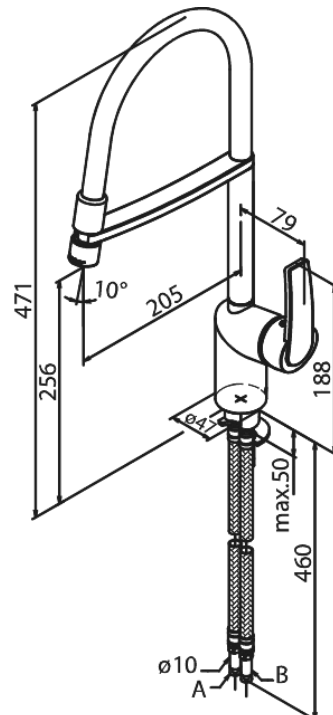
EAN no.: 5708516815228



Standard features:

- Ceramic cartridge
- Scalding protection (38°C)
- Swivel spout
- 120° swivel limitation
- Rub-clean aerator
- Cold-start
- Eco-Save water saving feature
- 1 handle
- Water consumption max. 15 l/min
- 205 mm projection

Product features



FM Mattsson Mora Group Denmark
Abildager 26 A, 2605 Brøndby, Denmark
Østbirkvej 2, 5240 Odense NØ, Denmark

+45 88 33 00 34 damixa-international@fmm-mora.com

For more information please visit www.damixa.com

damixa