



≡≡≡ unidrain®

CLASSICLINE | UK

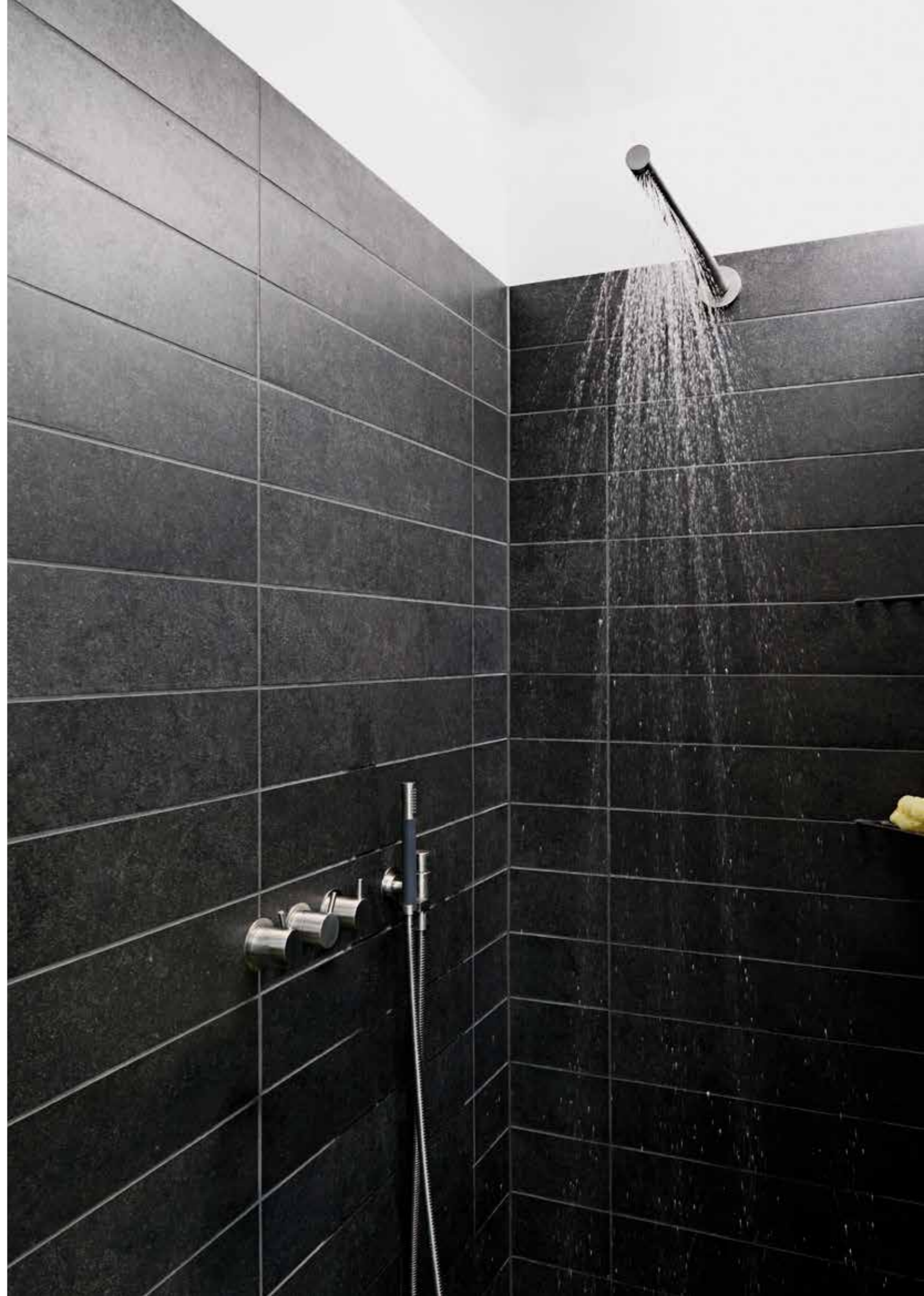
## AESTHETICS AND FUNCTIONALITY

In 2003 unidrain® was the first company in the world to develop a line drain to be placed against the wall in the shower cubicle. Back then, high-end floor drain design was a new and revolutionary concept. In just a few years, unidrain® developed into one of the leading floor drain manufacturers. Ten years later, unidrain® has won many international design awards and be represented in over 30 countries around the world. ClassicLine is the original design range from unidrain® and is now installed in hundreds of thousands of homes worldwide.











# CLASSICLINE

ClassicLine is the original design range from unidrain®, and consists of frame and grating.

Six elegant and timeless designs in brushed stainless steel ensure a solution to suit any taste.

Column



Stripe



Anniversario



Inca



Classic



Square





CLASSICLINE floor drain | Square  
GLASSLINE shower screen | Transparent

10 YEAR ANNIVERSARY GRATING  
ANNIVERSARIO

unidrain® celebrated its 10th anniversary  
in 2013, extending its design portfolio with  
a new ClassicLine grating







ClassicLine bespoke drain | Stripe  
GlassLine shower door





GLASSLINE shower screen | Column  
CLASSICLINE floor drain | Column



GLASSLINE shower screen | Transparent  
GLASSLINE shower door  
CLASSICLINE floor drain | Column



STEEL TOP RAIL

GLASS TOP RAIL

## GLASSLINE SHOWER SCREEN

The range of shower screens are solidly installed without visible screws or fittings. Only a discreet steel frame is visible along the wall and floor, showcasing the elegant lines and providing a timeless look.

Our shower screens are transparent or with exclusive decoration in silkscreen print. The shower screen is mounted on a rail on the wall and can be replaced in case of damage.

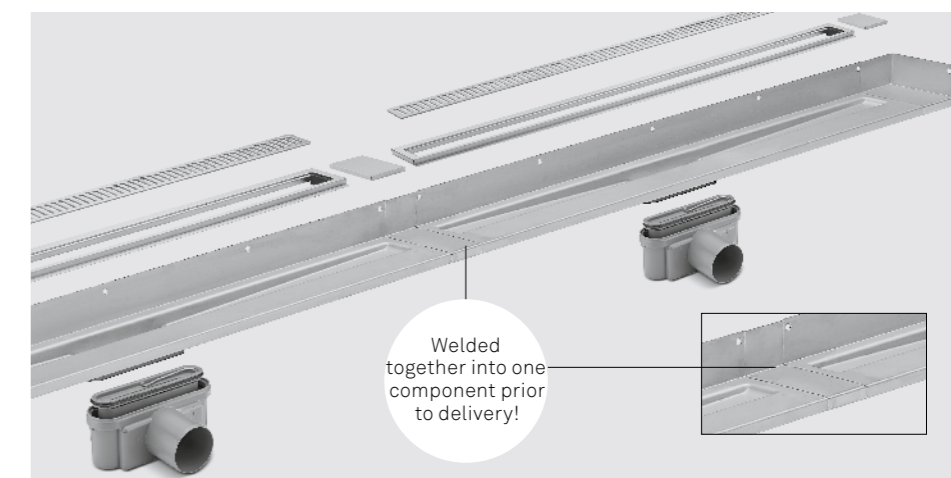
As the finishing touch, we produce an exclusive shower base, shower door and top rail designed in the same style as the shower screen and floor drain. Glass surfaces are treated with Cleantec for easier maintenance.





## BESPOKE (MODULE 1100)

unidrain® Bespoke (Module 1100) is the flexible solution for any size of bathroom. unidrain® Bespoke makes it possible to produce unidrain® floor drains in any length and along several walls. This flexibility makes Bespoke the ideal solution for e.g. hotels, sports centres, schools and wellness facilities, or for an exclusive private bathroom.











## CORNER DRAIN

A corner drain is a discreet solution for bathrooms and utility rooms with limited space. They are significantly smaller than the equivalent floor drains on the market. Furthermore, they are placed in the corner against the walls, creating more space in the shower cubicle

CLASSICLINE corner drain | Classic  
CLASSICLINE corner drain | Anniversario  
CLASSICLINE corner drain | Column





## SOAP SHELVES

Our elegant soap shelves are designed to complement the ClassicLine floor drain. They are available in linear and corner models.

Unidrain A/S  
Farum Gydevej 71  
DK-3520 Farum

T +45 3910 1010  
F +45 3910 1020  
info@unidrain.com  
unidrain.com