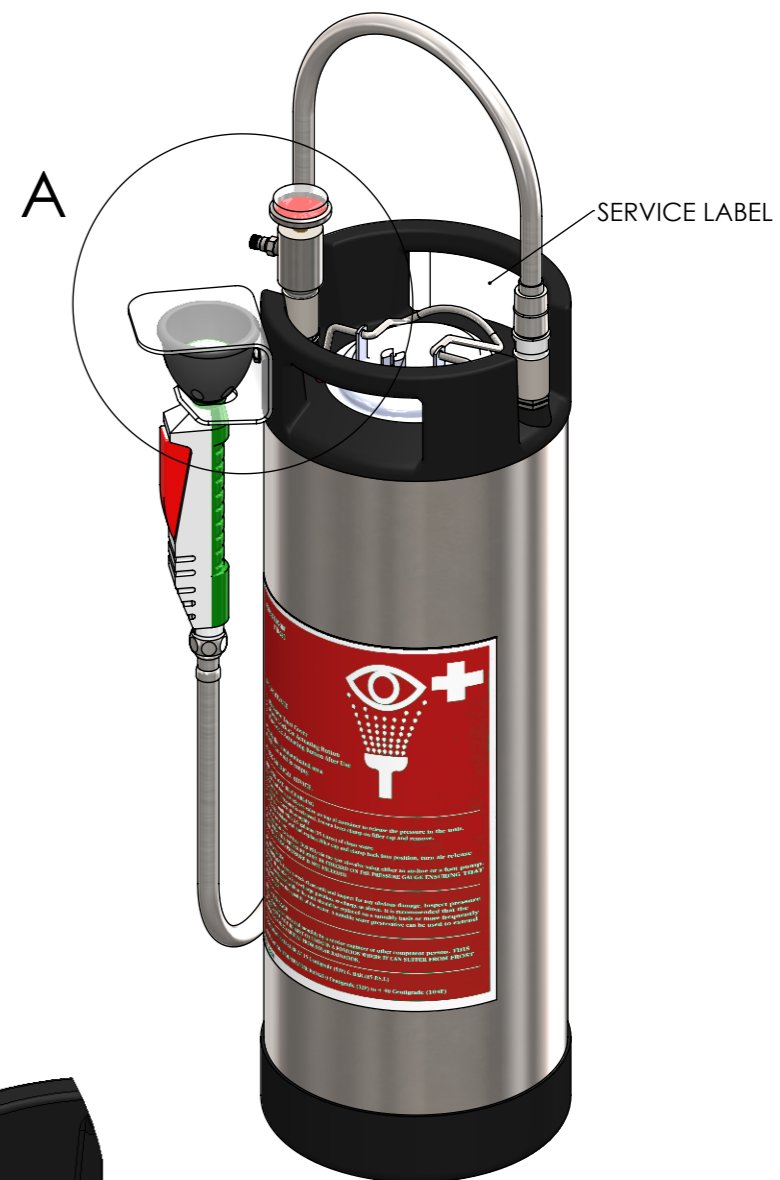
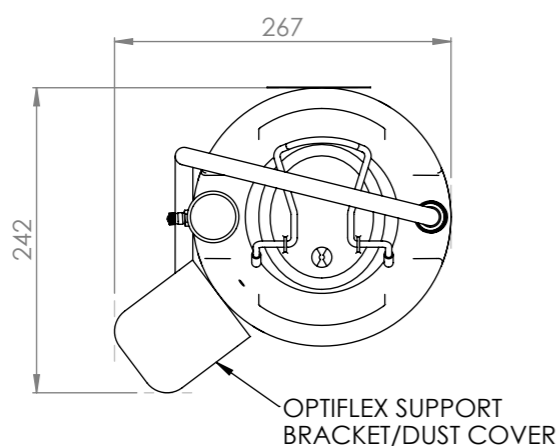
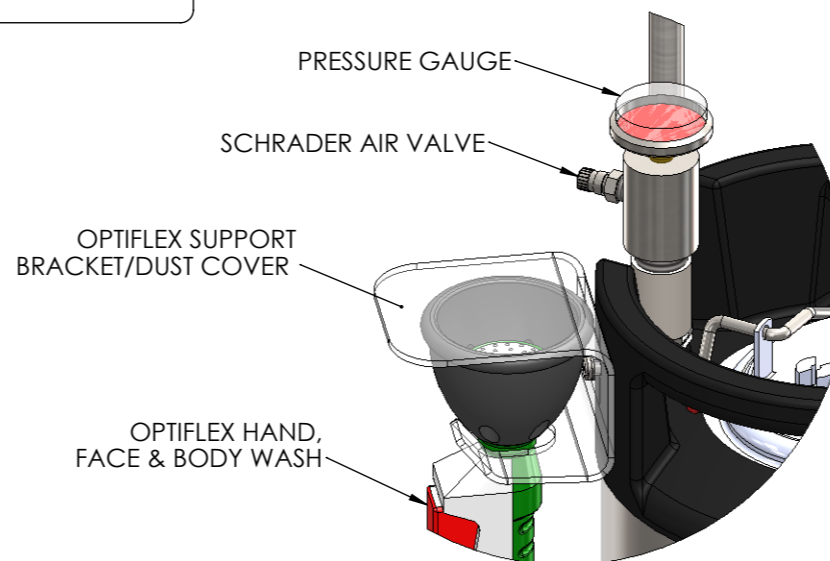


ISOMETRIC VIEW



DETAIL A
SCALE 1 : 3



MINIMUM WORKING TEMPERATURE: ABOVE 0°C

BROEN

INTELLIGENT FLOW SOLUTIONS
BROEN A/S
Skovvej 30, DK-5610 Assens,
T: +45 6471 2095 F: +45 6471 2476
E: broen@broen.com W: www.broen.com

	NAME	DATE
DRAWN:	S.W.	30.05.13
CHECKED:	A.L.	30.05.13
APPROVED:	A.L.	30.05.13
MATERIAL:	STAINLESS STEEL CYLINDER	

DEBUR AND BREAK SHARP EDGES
DIMENSIONS ARE IN MILLIMETRES UNLESS SPECIFIED OTHERWISE
TOLERANCES: LINEAR: ANGULAR:
SCALE:1:10
DO NOT SCALE OFF DRAWING

TITLE: UNHEATED PORTABLE EMERGENCY EYE, FACE AND BODY SHOWER.	REVISION A
FINISH: CLEAN	SHEET 1 OF 1
DWG NO. H7170011000303	A3