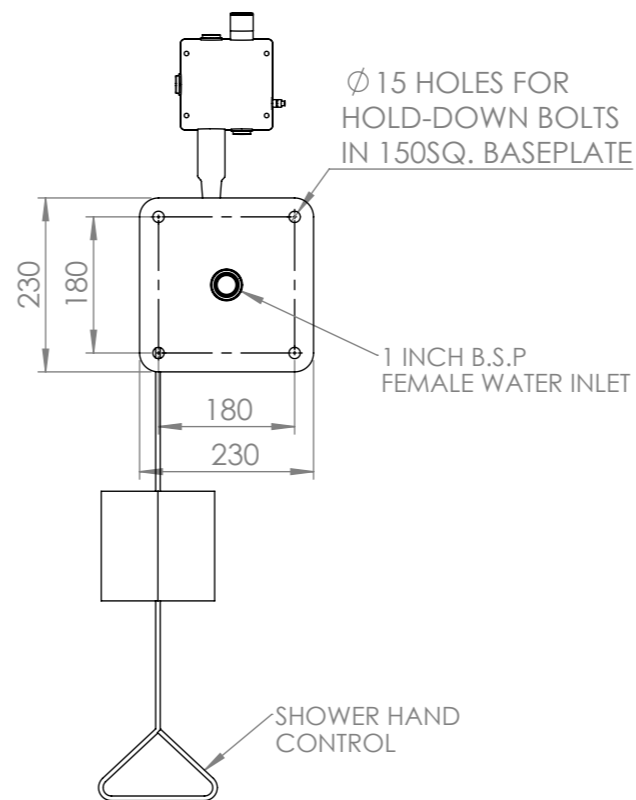
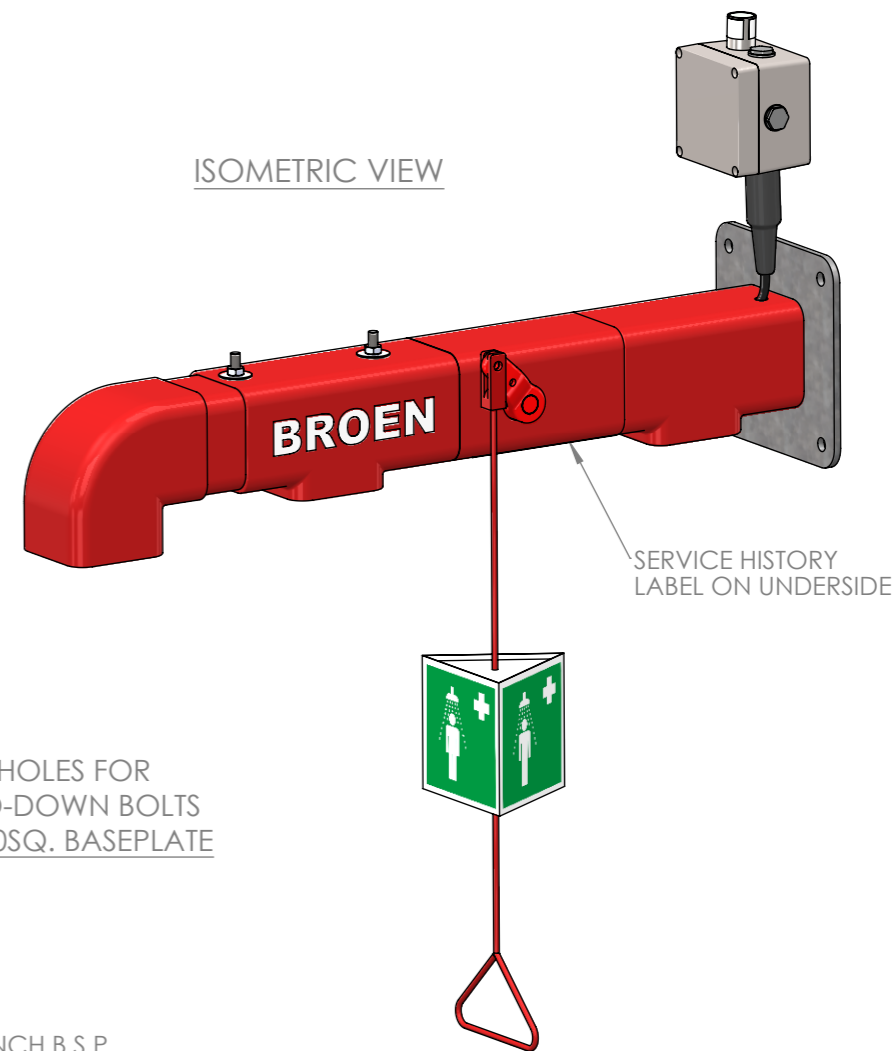
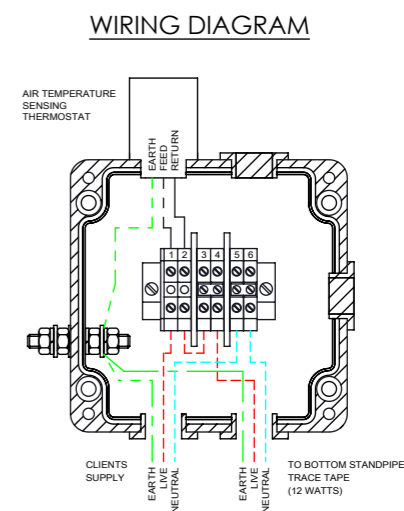


MINIMUM WORKING TEMPERATURE: -20°C



SECTION A-A



WIRING DIAGRAM

BROEN-LAB

BROEN A/S
 Skovvej 30, DK-5610 Assens,
 T: +45 6471 2095 F: +45 6471 2476
 E: broen@broen.com W: www.broen.com

NAME	DATE
DRAWN: S.W.	30/10/12
CHECKED: A.L.	30/10/12
APPROVED: A.L.	30/10/12

MATERIAL:
 GALVANISED MILD STEEL

DEBUR AND BREAK SHARP EDGES
 DIMENSIONS ARE IN MILLIMETRES UNLESS SPECIFIED OTHERWISE
 TOLERANCES:
 LINEAR:
 ANGULAR:

SCALE:1:20
 DO NOT SCALE OFF DRAWING

TITLE:
**OUTDOOR WALL MOUNTED EMERGENCY SAFETY SHOWER
 SUITABLE FOR FLAMEPROOF AREAS. SUPPLY VOLTAGE 230V, 50 OR 60 HZ.**

FINISH: CLEAN SHEET 1 OF 1 DWG NO. H7230011000321

REVISION
A
A3