

Arc

# Bath Shower Mixer

**Article no.:** 291000000

**EAN no.:** 5708516726814

**Finish:** Chrome

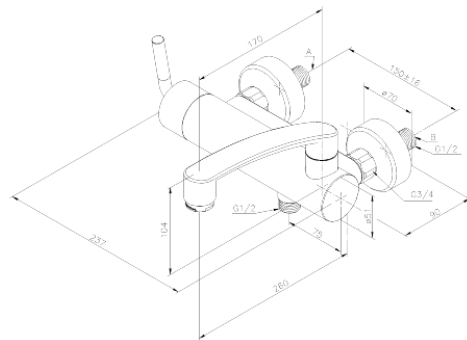
**Series:** Arc



## Standard features:

- Ceramic cartridge
- Standard 150mm centres
- Scalding protection (38°C)
- Hydro-ceramic cartridge
- With wall plates & eccentric unions
- Diverts automatically when spout is folded away
- 1/2" connection for hand shower hose
- Eco-Click water saving feature

## Product features



FM Mattsson Mora Group Denmark  
Abildager 26 A, 2605 Brøndby, Denmark  
Østbirkvej 2, 5240 Odense NØ, Denmark

+45 63 10 22 10 danmark@fmm-mora.com

For more information please visit [www.damixa.com](http://www.damixa.com)

**damixa**