

Be-Line drop-down support rail with leg, L. 850mm, white

Ref. 511963W

Powder-coated matte white aluminium

DESCRIPTION

Be-Line drop-down support rail with leg, L. 850mm, white - Ref. 511963W

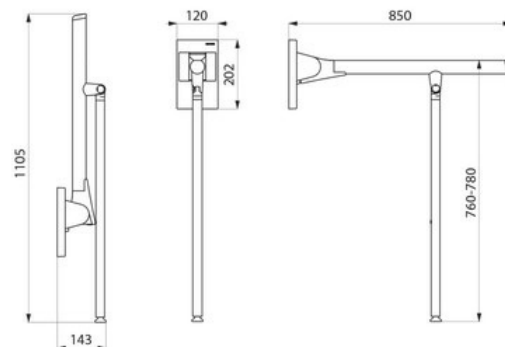
Be-Line drop-down support rail for people with reduced mobility. In the lowered position use as a grab bar, as a support for standing and for assisting movement, for WCs or showers. Allows side access in the raised position. Removable: easy to remove with anti-theft locking system. Reduces the number of bars in a facility, allowing installation only when required. Example: hotels or hospitals providing short-term accommodation for people with reduced mobility. Retained in upright position. Slowed down descent. Aluminium tube. Rounded profile Ø 42mm with ergonomic flat front face that prevents rotation for an optimal grip. Matte white powder-coated aluminium finish provides a good visual contrast with the wall. Uniform surface for easy maintenance and hygiene. Concealed fixings secured to wall by a 304 stainless steel plate, 5mm thick. Supplied with stainless steel screws Ø 8 x 70mm for concrete walls. Leg provides additional reinforcement when wall fixings are not enough. Dimensions: 850 x 825 x 120mm. Leg height can be adjusted from 760 - 780mm. Tested to over 200kg. Maximum recommended user weight: 135kg. 10-year warranty. CE marked.

Provisional availability 2nd half 2020. Please contact the sales office to check availability.

TECHNICAL FEATURES

Be-Line drop-down support rail with leg, L. 850mm, white - Ref. 511963W

Height	210mm
Length	850mm
Width	120mm
Finish	Powder-coated matte white aluminium
Standards and certifications	CE
Warranty	10



ADVANTAGES

-  Innovative design suitable for all users
-  Removable: easy to unclip
-  Comfort: ergonomic flat face prevents rotation
-  Tested to over 200kg