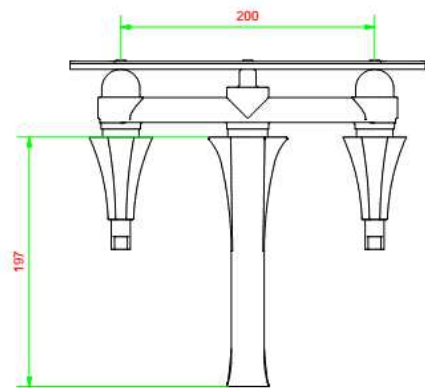
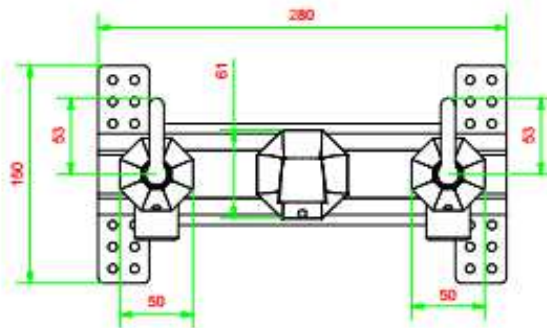
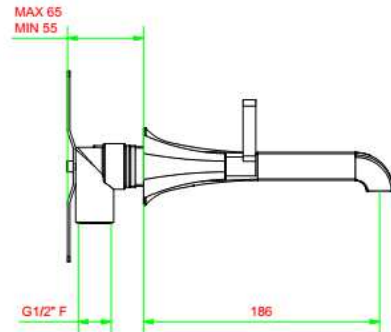




www.ibrubinetterie.it

BELMONDO ELLE
BL206

Range
Product



Product Description

Traditional washbasin mixer built into the wall with two metal levers and a 1/2" wall connection.

Available Finishings

Chrome	<input checked="" type="checkbox"/>	Glossy Black	<input type="checkbox"/>	PVD Gold	<input type="checkbox"/>	Copper	<input type="checkbox"/>
Brushed Nickel	<input checked="" type="checkbox"/>	Matt White	<input type="checkbox"/>	Gold	<input checked="" type="checkbox"/>	Bronze	<input type="checkbox"/>
Glossy White	<input type="checkbox"/>	Matt Black	<input type="checkbox"/>	Rose Gold	<input checked="" type="checkbox"/>	YO - Your Own	<input checked="" type="checkbox"/>

Tech Specifications

IB Standard	Possible Alternative
-------------	----------------------

Aerator

F 3/8"

Flow Restrictions – See below

Flow Rate
(+/- 10%)

1 BAR	28 l/m
2 BAR	39 l/m
3 BAR	48 l/m

Changing aerator or adding flow restrictors in the hoses, the following range of TOP flow rates can be achieved	7,0 l/m
	14,0 l/m
	21,0 l/m
	28,0 l/m
	35,0 l/m
	42,0 l/m
47,0 l/m	

Material

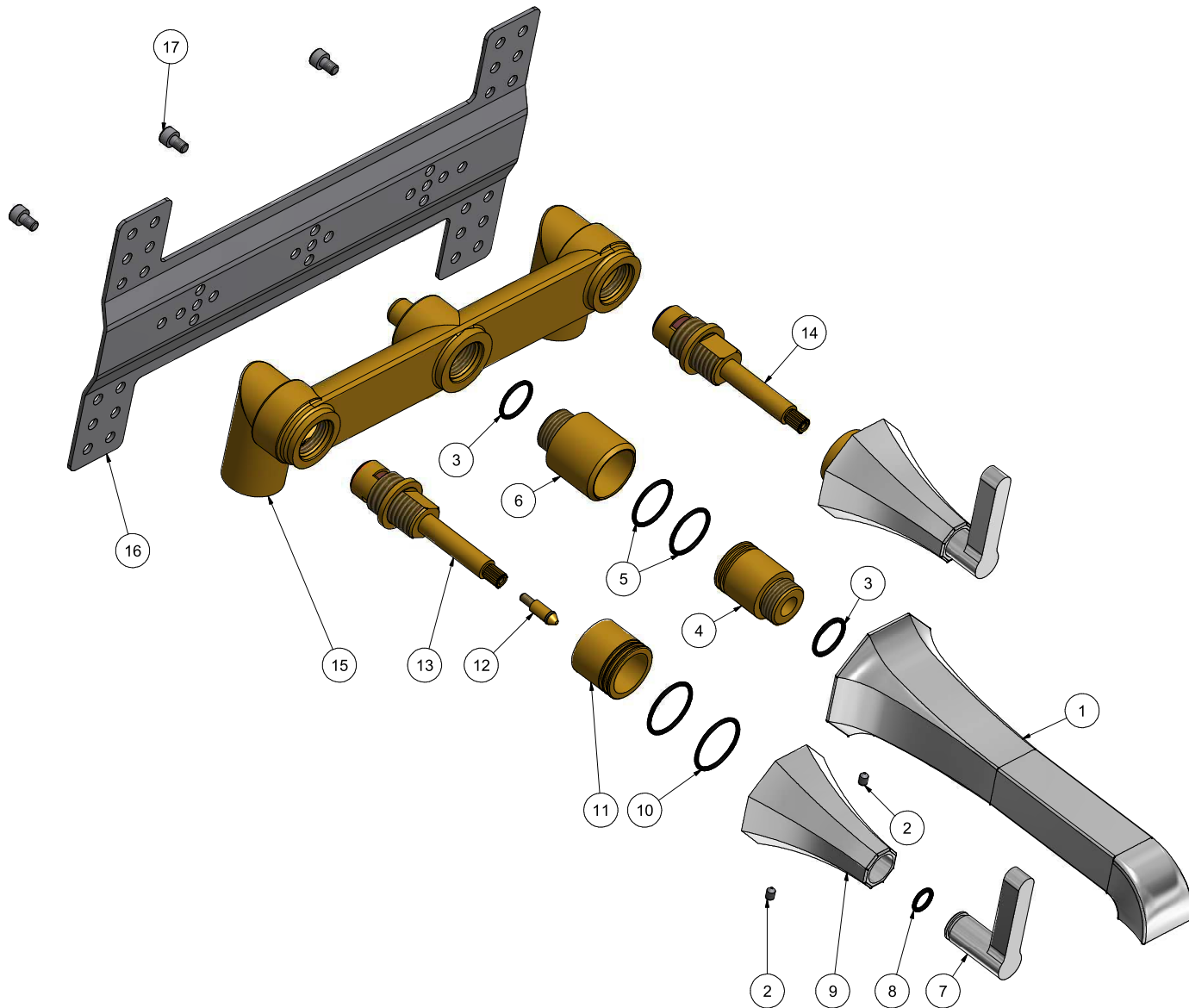
Brass
According to CUZN35PB2AL-B(CB752S)
Max Lead content: 1,6%

Production

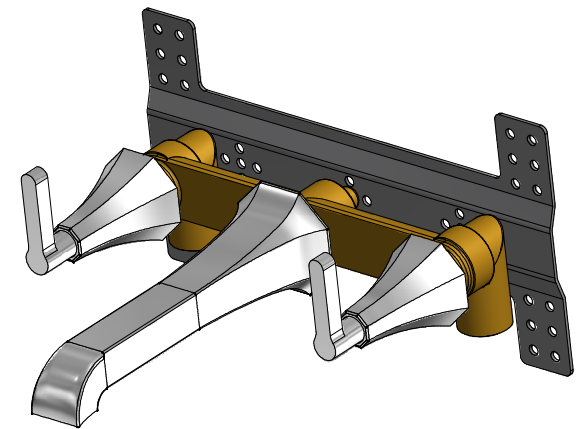
Main body is a single casted piece



IB Rubinetterie SpA
via dei pianotti, 3/5 - 25068 sarezzo (bs) - Italy
T +39 030 802101
F +39 030 803097
p.iva 01785230986
capitale sociale € 420.000,00 i.v.
info@ibrubinetterie.it



Elenco parti			
ELEM	CODICE	NUMERO DI MAGAZZINO	QT
1	CC0001901	Spout for recessed basin mixer L197	1
2	AQ0010117	Grubscrew M5x4 p.c.	3
3	AQ0004630	OR 17.16x1.78 NBR 70 SH	2
4	AS0010502	Insert Ø25.8 G1/2" L36.5	1
5	AQ0006637	OR 21.95x1.78 NBR 70 SH	2
6	AS0010503	Insert Ø31.5 H41	1
7	CC0002160	Lever	2
8	AQ0004180	OR 9.25x1.78 NBR 70 SH	2
9	CC0002164	Octagonal bell 50 H65	2
10	AQ0006586	OR 25.12x1.78 NBR 70 SH	4
11	AS0010504	Insert Ø28.7 H24.5	2
12	AQ0010617	Click connection for headworks with ring	2
13	AQ0010852	Headwork 90° SX H55	1
14	AQ0010851	Headwork 90° DX H55	1
15	CT0001905	Recessed body 3 hole Int. 200 G1/2"	1
16	AQ0009362	Inox plate 280x150	1
17	AQ0009429	Inox screw M5x8	3



				Tolleranze generali	Peso	Scala	Formato ISO A2
Materiale							
Disegnatore Polli Nicola	Data creazione 30/06/2006	Approvato da Tira Gabriele	Approvato il 25-08-06				
Denominazione Lavabo incasso BelMondo - Leva				Codice KBL206CCXN_1			
<small> Via dei Pianetti 3/5 23066 Sanzoio - BRESCIA tel. 030802101 fax. 030803097 www.bredaonline.it </small>							

WARRANTY

all iB Rubinetterie SpA products are warranted for 10 years from the date of purchase, for the following cases:

- defects of casting, porosity and chrome plating
- operating defects caused by incorrect fabrication.

The warranty provides for the repair or replacement of products with fabrication defects recognized by our technical office.

There is no other type of compensation and the merchandise must be returned FOB our warehouse. The warranty only cover surface defects (scartches, dings, etc.) on fittings that have not been installed and used, returned in its original packaging with all components.

O-rings, gasket seals and components subject to wear proportional to use are warranted for 2 years.

The warranty is void in the following cases:

- error installing and putting the product into service.
- deterioration of chrome-plated surfaces due to use of cleaning products containing acids or abrasive substances
- deterioration of surface with finishes other than chrome plating. Their durability is, in fact, dependent on the user's care and gentleness of use.
- deterioration of the fitting due incorrect installation.
- improper repairs and maintenance performed without the company's prior authorization.

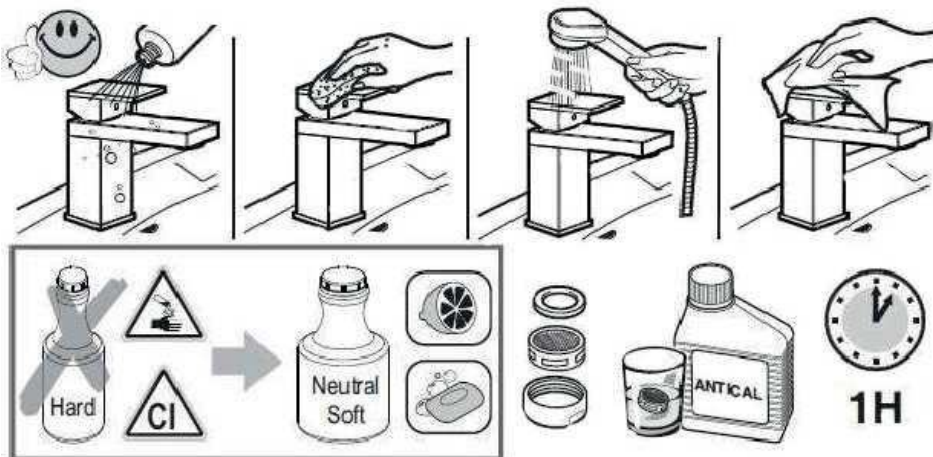
The warranty from iB Rubinetterie SpA is not renewable.

Cleaning:

We recommend cleaning chrome-plated and gold-finish surface with water and soap, using a soft cloth.

Do not use detergents that contain hydrochloric acid or abrasive substances.

Plastic parts must only be cleaned with soap and water and soft cloth.



IMPORTANT

Pressure & Temperature Requirements.

- * Hot and cold water inlet pressures should be equal.
- * Inlet pressure range: 150-1000 kPa
- * New Regulation: -500 kPa maximum operating pressure at any outlet within a building. (Ref. AS/NZS 3500.1-2003, Clause 3.3.4)
- * Maximum hot water temperature: 80°C.



iB Rubinetterie S.p.A.
Via dei Pianotti 3/5
25068 SAREZZO (BS) Italy
Iscr. Reg. Impr. BS 01785230986
R.E.A. BS 352087
P.IVA IT01785230986
Capitale Sociale € 420.000,00 i.v.
phone +39 030 802101
fax +39 030 803097
info@ibrubinetterie.it
www.ibrubinetterie.it

