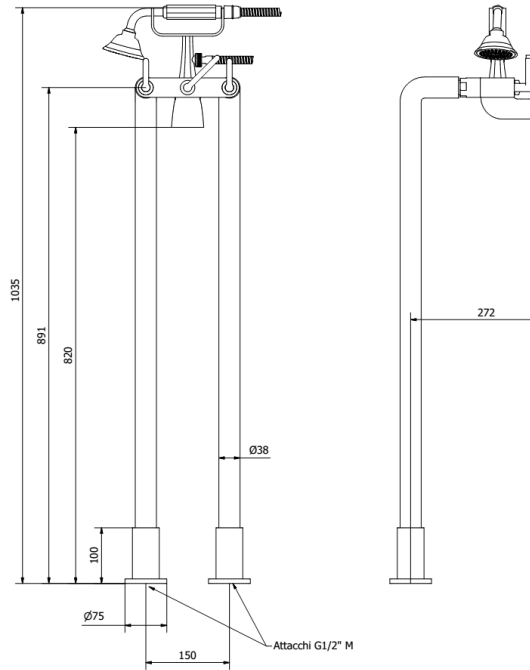
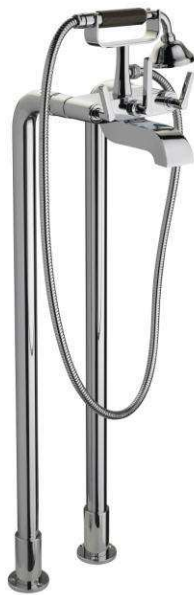




www.ibrubinetterie.it

BELMONDO ELLE
BL700

Range
Product



Product Description

Double legs bath filler made of a traditional washbasin with an hand shower.

Available Finishings

Chrome	<input checked="" type="checkbox"/>	Glossy Black	<input type="checkbox"/>	PVD Gold	<input type="checkbox"/>	Copper	<input type="checkbox"/>
Brushed Nickel	<input checked="" type="checkbox"/>	Matt White	<input type="checkbox"/>	Gold	<input checked="" type="checkbox"/>	Bronze	<input type="checkbox"/>
Glossy White	<input type="checkbox"/>	Matt Black	<input type="checkbox"/>	Rose Gold	<input checked="" type="checkbox"/>	YO - Your Own	<input checked="" type="checkbox"/>

Tech Specifications

iB Standard	Possible Alternative
-------------	----------------------

Flow Restrictions – See below

Flow Rate
(+/- 10%)

1 BAR	32 l/m
2 BAR	45 l/m
3 BAR	56 l/m

Changing aerator or adding flow restrictors in the hoses, the following range of TOP flow rates can be achieved	8,0 l/m
	16,0 l/m
	24,0 l/m
	32,0 l/m
	40,0 l/m
	55,0 l/m

Material

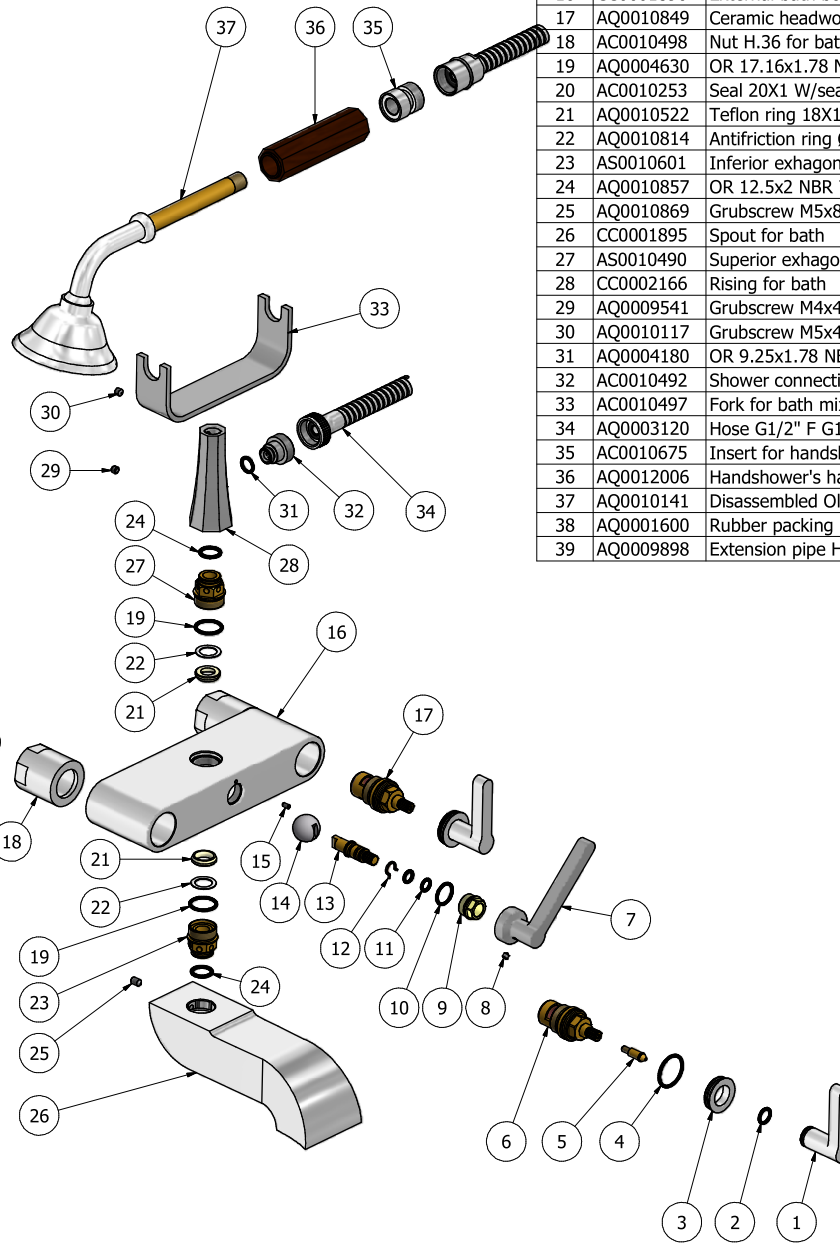
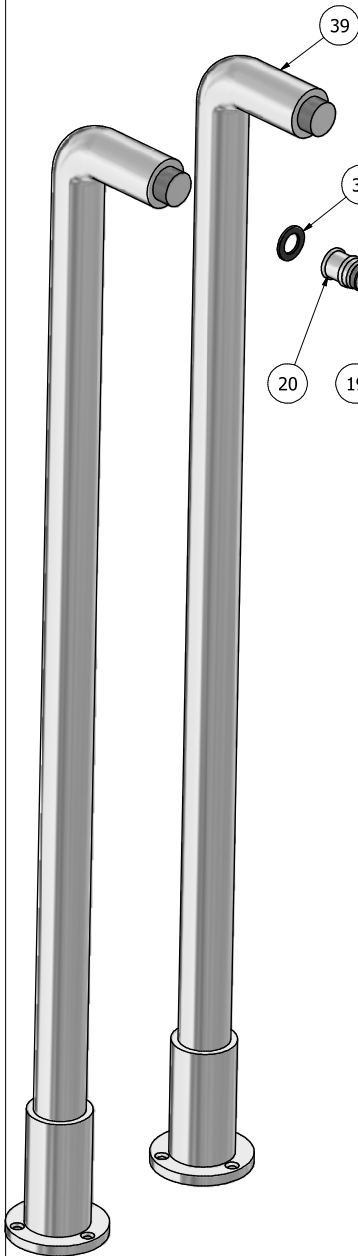
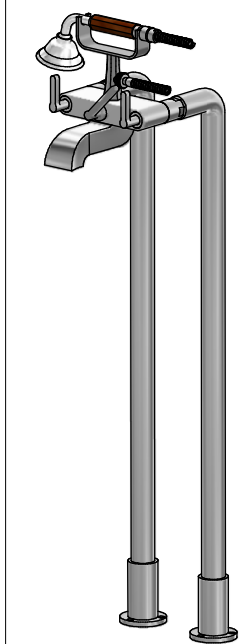
Brass
According to CUZN35PB2AL-B(CB752S)
Max Lead content: 1,6%

Production

Main body is a single casted piece



info@ibrubinetterie.it
p.iva 01785230986
capitale sociale € 420.000,00 i.v.
T +39.030.802101
F +39.030.803097
iB Rubinetterie SpA
via dei pianotti, 3/5 - 25068 sarezzo (bs) - Italy



ELENCO PARTI

ELEM	CODICE	DESCRIZIONE	QT
1	CC0002160	Lever	2
2	AQ0004180	OR 9.25x1.78 NBR 70 SH	2
3	AC0010495	Headwork cover	2
4	AQ0006637	OR 21.95x1.78 NBR 70 SH	2
5	AQ0010617	Click connection for headworks with ring	2
6	AQ0010848	Ceramic headwork 90°right	1
7	CC0002165	Diverter lever	1
8	AQ0001082	Grubscrew M4x4 p.c.	1
9	AC0010491	Nut for diverter rod	1
10	AQ0009818	OR 14x1.78 NBR 70 SH	1
11	AQ0001330	OR 6.75x1.78 NBR 70 SH	2
12	AQ0010524	Elastic ring for diverter	1
13	AS0010489	Inset for diverter rod	1
14	AQ0010521	Valve's sphere for diverter	1
15	AQ0010525	Grubscrew M3x6	1
16	CC0001890	External bath body	1
17	AQ0010849	Ceramic headwork 90°left	1
18	AC0010498	Nut H.36 for bath	2
19	AQ0004630	OR 17.16x1.78 NBR 70 SH	4
20	AC0010253	Seal 20X1 W/seat for valve	2
21	AQ0010522	Teflon ring 18X10,3X4	2
22	AQ0010814	Antifriction ring Ø18.2x12.5x0.5	2
23	AS0010601	Inferior exagonal nut for diverter	1
24	AQ0010857	OR 12.5x2 NBR 70 SH	2
25	AQ0010869	Grubscrew M5x8 p.c.	1
26	CC0001895	Spout for bath	1
27	AS0010490	Superior exagonal nut for diverter	1
28	CC0002166	Rising for bath	1
29	AQ0009541	Grubscrew M4x4	1
30	AQ0010117	Grubscrew M5x4 p.c.	1
31	AQ0004180	OR 9.25x1.78 NBR 70 SH	1
32	AC0010492	Shower connection piece	1
33	AC0010497	Fork for bath mixer	1
34	AQ0003120	Hose G1/2" F G1/2" cono	1
35	AC0010675	Insert for handshower	1
36	AQ0012006	Handshower's handle	1
37	AQ0010141	Disassembled Old hand shower	1
38	AQ0001600	Rubber packing 24x16x2 G3/4"	2
39	AQ0009898	Extension pipe H890	1

WARRANTY

all iB Rubinetterie SpA products are warranted for 10 years from the date of purchase, for the following cases:

- defects of casting, porosity and chrome plating
- operating defects caused by incorrect fabrication.

The warranty provides for the repair or replacement of products with fabrication defects recognized by our technical office.

There is no other type of compensation and the merchandise must be returned FOB our warehouse. The warranty only cover surface defects (scartches, dings, etc.) on fittings that have not been installed and used, returned in its original packaging with all components.

O-rings, gasket seals and components subject to wear proportional to use are warranted for 2 years.

The warranty is void in the following cases:

- error installing and putting the product into service.
- deterioration of chrome-plated surfaces due to use of cleaning products containing acids or abrasive substances
- deterioration of surface with finishes other than chrome plating. Their durability is, in fact, dependent on the user's care and gentleness of use.
- deterioration of the fitting due incorrect installation.
- improper repairs and maintenance performed without the company's prior authorization.

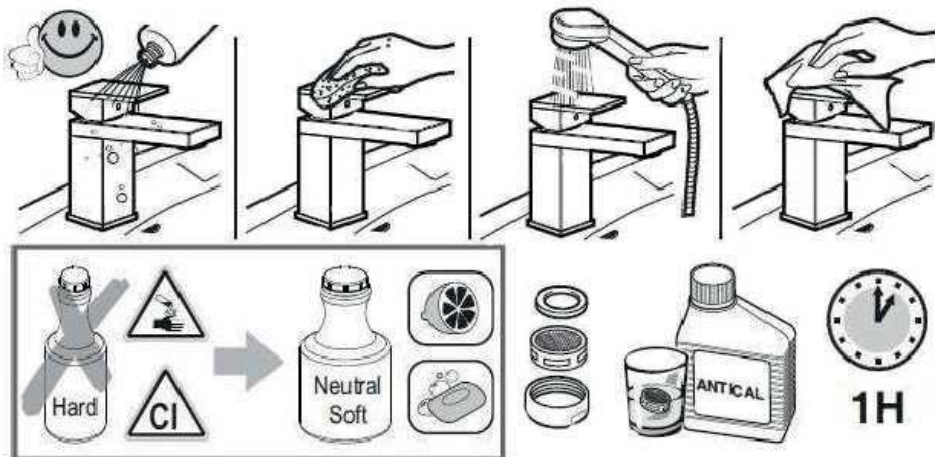
The warranty from iB Rubinetterie SpA is not renewable.

Cleaning:

We recommend cleaning chrome-plated and gold-finish surface with water and soap, using a soft cloth.

Do not use detergents that contain hydrochloric acid or abrasive substances.

Plastic parts must only be cleaned with soap and water and soft cloth.



IMPORTANT

Pressure & Temperature Requirements.

- * Hot and cold water inlet pressures should be equal.
- * Inlet pressure range: 150-1000 kPa
- * New Regulation: -500 kPa maximum operating pressure at any outlet within a building. (Ref. AS/NZS 3500.1-2003, Clause 3.3.4)
- * Maximum hot water temperature: 80°C.



iB Rubinetterie S.p.A.
Via dei Pianotti 3/5
25068 SAREZZO (BS) Italy
Iscr. Reg. Impr. BS 01785230986
R.E.A. BS 352087
P.IVA IT01785230986
Capitale Sociale € 420.000,00 i.v.
phone +39 030 802101
fax +39 030 803097
info@ibrubinetterie.it
www.ibrubinetterie.it

