

Bucket sink GUB3

Art. no. GUB3
GTIN 7055570013250



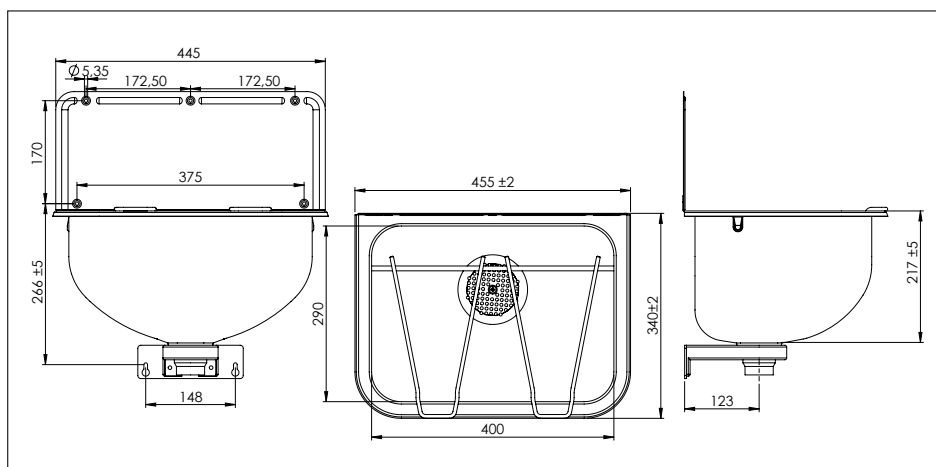
Overall dimension in mm	455 x 340 x 412
Depth in mm	217
Bowl dim. in mm	400 x 290 x 217
Material	AISI 304
Material thickness in mm	0,9
Installation height in mm	500
Product load in N	1000
Gross weight in kg	4.50
Weight, pallet	135.40
Pcs per pallet	24

Description

Bucket sink in stainless steel for wall mounting. Supplied with wall panel, Ø100mm grated waste and a bucket grid. Waste and wall bracket in mounted onto the sink from the supplier.

Installation

Waste and wall bracket are pre-mounted on the sink by the supplier. Fasten the mounting description to the wall and drill holes and fasten the sink accordingly. Secure the wall panel to sink and wall.



Installation GUB3

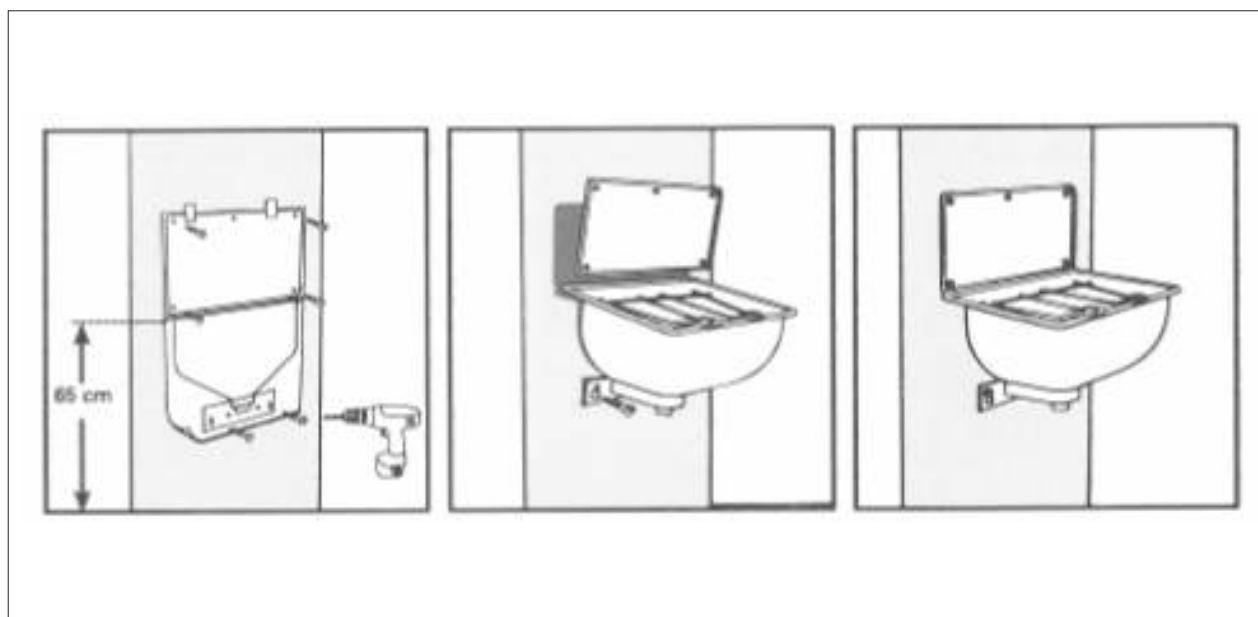
INSTALLATION:

Included in the box:

- Bucket sink
- Wall panel
- Installation equipment for GUB 3
- Bucket grid
- Assembly instructions

The sink comes with a pre-mounted valve and

support bracket, ready to be installed on the wall. Attach the mounting instructions to the wall at the correct height and drill holes according to this. Attach the two lower screws to the wall and place the sink in the support bracket. Then tighten the screws in the support bracket before attaching the other screws. Plugs and screws are included.



Maintenance GUB3

SPARE PARTS:

Wall panel: ZVBGUB
Bucket grid: GUBRIST
Valve 1 1/2" (lower part): 79006
Sealing (lower part): 79030
Sealing celleprene: 91099
Support bracket: 91019
Bracket plate: ZGUB3BRPL
Strainer: 79110
Assembly instructions: YMONTGUB3

Maintenance of Intra products in stainless steel
Congratulations on your purchase of an Intra product that has been produced according to the highest quality requirements. Several of our products are supplied with plastic film. This film protects our products during transportation.

Before you can start using your product the film has to be removed. We recommend that the product is cleaned on a regular basis; this is to assure that your Intra product AISI304 will keep its original quality and appearance. Use mild liquid soap or a mild detergent which is intended for use on stainless steel and clean water. Rinse carefully and wipe the surface with a dry cloth. Never use a detergent that contains chlorine, iodine, fluoride or abrasives on stainless steel. Also avoid contact with acid solutions and other substances that are not compatible with stainless steel. Keep in mind that food and skin care products

may contain substances like this. Ketchup, juice, salt and some cleansing moisturizers and nail polish are examples of such products. Any spillage of this kind should be wiped off immediately.

Please have the following in mind

- To avoid stains on the product's surface, do not let water or any other fluid dry on the product.
- Stainless steel can stand hard treatment but sharp objects may easily scratch the surface of the product. For products with a normal polish (brushed finish) this will be quite visible when the product is new. After a period of use these marks will be smoothed out, without the product losing its lustre. The scratches will always be visible on products in satin and with a grinded finish.
- Scouring powder and steel wool should never be used on stainless steel. Apart from the risk of scratches, there is also a risk that rust stains will attack the steel.
- Avoid stainless steel in direct contact with, or in environments with, Chlorine based solutions.
- Silver polish leaves spots that cannot be removed