

Bucket sink U1STD

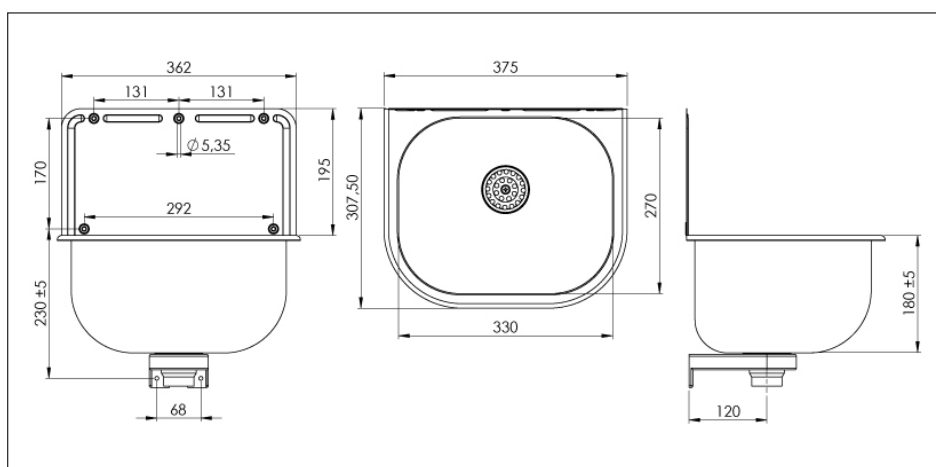
Art. no. U1STD
GTIN 7055570001172



Overall dimension in mm	375 x 308 x 330
Depth in mm	180
Bowl dim. in mm	330 x 270 x 180
Waste hole dim. in mm	52
Material	AISI 304
Material thickness in mm	0,9
Installation height in mm	500
Product load in N	1000
Gross weight in kg	2.50
Weight, pallet	175.00
Pcs per pallet	60

Description

Bucket sink in stainless steel for wall mounting. Supplied with wall panel in stainless steel, supporting bracket and 1 1/2" grated waste.



Installation U1STD

ASSEMBLY:

Included in the box:

- * Bucket sink
- * Wall components
- * Assembly equipment

Fix waste and supporting bracket to the sink. Fasten sink to the wall through the two holes in the supporting bracket and the holes in the upstand in the rear of the sink. Fix wall panel parallel to the upstand and the fixing holes in the top corners of the wall panel. Screws and plugs are supplied.

SPARE PARTS:

Wall components: ZVBUDH
Waste 1 1/2" and 1 1/4" with grated waste: 79136
Bracket: 91019
Packaging: 91099

MAINTENANCE:

In order for the product to retain its original quality and appearance, regular cleaning is recommended. Use mild soap or products specifically designed for stainless steel and clean water. Then wipe the surface

with a dry cloth. Never use detergents containing chlorine, iodine, fluoride or abrasives. Also avoid contact with acidic solutions and other substances incompatible with stainless steel. Remember that food stuffs and skin care products may contain such substances; e.g. ketchup, juice, salt, some cleansers, nail polish, etc. Promptly remove spills of such products.

* Do not allow water or other liquid to dry in. This is to avoid staining the surface.

* Even though stainless steel can withstand harsh treatment, it will easily be scratched by sharp objects. For products with polished (brushed) finishes, this will be very visible when the product is new, but after a period of use, this will be negated as the steel loses its lustre. On surfaces with satin and polished finishes, the scratches will always be visible. Never use scouring powder or steel wool on stainless steel. This will scratch the steel and steel wool will leave small particles that can develop into rust spots.

* Stainless steel must not come into contact with, or be in environments containing, chlorine solutions for long periods of time.

* Silver polish causes stains which cannot be removed.