

**Soap dish**
**Código: AI0050CS**
**General description**

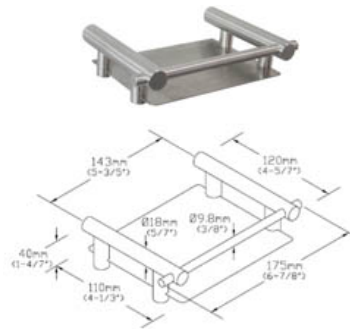
- Soap dish, stainless steel AISI 304, satin finish, for mounting on the wall.
- Suitable for the hotel sector, for fitting out the bathrooms in the hotel rooms.
- Model suitable for public use.
- With no removable components.
- It normally goes along with a stainless steel towel rail or towel ring

**Components and Materials**

- Stainless steel AISI 304 dish, 0.8 mm thick, satin finish, welded to the holder.
- Stainless steel AISI 304 holder, 0.8 mm thick, satin finish, seamless.
- Mounting on the wall by means of two screws.

**Technical Specifications**

Distance from the wall - 120 mm
Soap dish dimension - 40x175x120 mm



Dim.: ±4%

**Operation**

No specific instructions for its use required.

**Certificates & Qualifications**

ISO 9001:2008.

Mediclinics, S.A., reserves the right to make changes and/or modifications to the products and their specifications without prior notice.

mediclinics S.A

