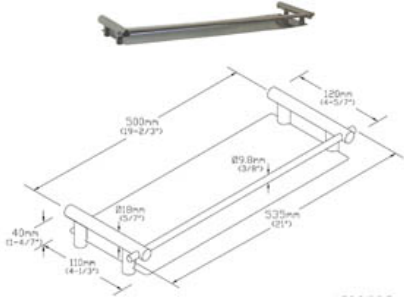



<b>Bathroom shelf</b>	<b>Código: A10060C</b>	
<p><b>General description</b></p> <ul style="list-style-type: none"> <li>·Shelf, stainless steel AISI 304, bright finish, for mounting on the wall.</li> <li>·Suitable for the hotel sector, for fitting out the bathrooms in the hotel rooms.</li> <li>·Model suitable for public use.</li> <li>·With no removable components.</li> </ul>	 <p style="text-align: center;">Dim.: ±4%</p>	
<p><b>Components and Materials</b></p> <ul style="list-style-type: none"> <li>·Stainless steel AISI 304 shelf, 0.8 mm thick, bright finish.</li> <li>·Stainless steel AISI 304 arm, 0.8 mm thick, bright finish. Completely welded construction.</li> <li>·Mounting on the wall by means of two screws.</li> </ul>		
<p><b>Technical Specifications</b></p> <table border="1" style="margin-left: auto; margin-right: auto;"> <tr> <td>Maximum dimensions - 40x 535 x 120 mm</td> </tr> <tr> <td>Distance from the wall - 120 mm</td> </tr> </table>		Maximum dimensions - 40x 535 x 120 mm
Maximum dimensions - 40x 535 x 120 mm		
Distance from the wall - 120 mm		
<p><b>Operation</b></p> <p>No specific instructions for its use required.</p>		
<p><b>Certificates &amp; Qualifications</b></p> <p>ISO 9001:2008.</p>		
<p>Mediclínics, S.A., reserves the right to make changes and/or modifications to the products and their specifications without prior notice.</p> <p style="text-align: center;">mediclínics S.A</p> <div style="text-align: right;">  </div>		