

MEDINOX
Towel ring

AI0110C
Bright finish

AI0110CS
Satin finish

General Description

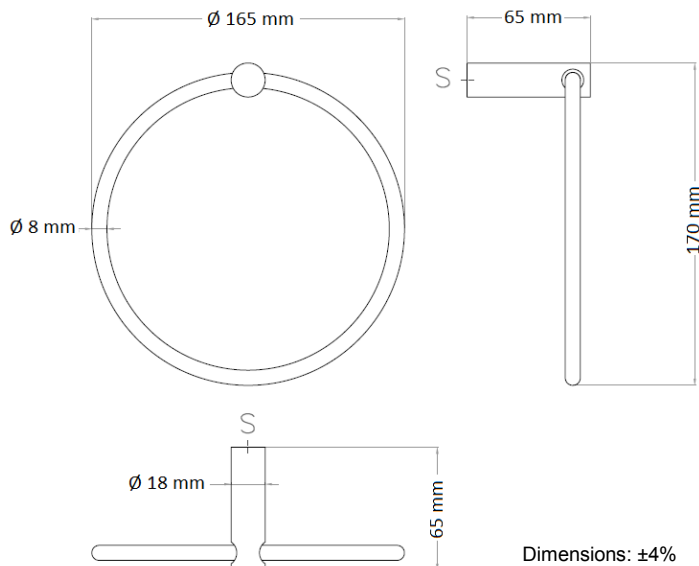
- Towel ring, bright or satin finish and made of stainless steel AISI 304, for wall mounting.
- The stainless steel AISI 304 construction protects the product against rust and ensures quality and longevity.
- Model suitable for the hotel sector and for collectivities.
- Concealed screws design.
- With no removable components.

Components & materials

- **AI0110C:** AISI 304 stainless steel, bright finish.
- **AI0110CS:** AISI 304 stainless steel, satin finish.
- **SUPPORT ARM:** made of a cylindrical bar of stainless steel AISI 304 \varnothing 18 mm.
- **RING:** \varnothing 165 mm made of a cylindrical bar of stainless steel AISI 304 \varnothing 8 mm.
- Screws and plugs for installation on a brick wall are provided.

Technical Specifications

General dimensions	\varnothing 165 x 65 x 170 mm
Towel bar diameter	\varnothing 8 mm
Support arm diameter	\varnothing 18 mm

Dimensions

MOUNTING

Fix the wall mounting cylinder on the wall using the provided screw through the mounting cylinder hole (point indicated by an "S" in the upper figure).

Assembly the towel ring on mounting cylinder and tighten with a "L" key the lock screw to lock unit to the mounting cylinder.