



AI0910C
Bright finish

General Description

- Surface-mounted retractable clothesline bright finished, made in stainless steel AISI 304.
- The stainless steel AISI 304 construction protects the product against rust and ensures quality and longevity.
- Unit has a button retainer and a 2,100 mm Nylon cord.
- Equipped with locking device to keep cord from sagging when in use. When center locking knob is released, unit shall retract automatically by spring-actuated reel.
- Model suitable for the hotel sector, elderly centers, homes and for collectivities.

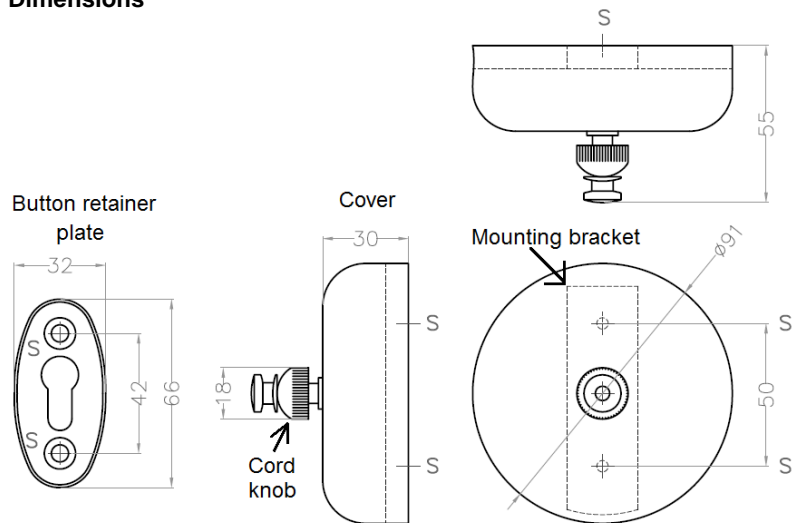
Components & materials

- **COVER:** made of stainless steel AISI 304, 0.6 mm thick, bright finished and with a chrome plated ABS Knob. It is fixed to the mounting bracket by means of a lock screw.
- **BUTTON RETAINER PLATE:** made of stainless steel AISI 304, 0.6 mm thick. It is mounted to the wall by means of two screws.
- **MOUNTING BRACKET:** made of stainless steel AISI 304, 0.9 mm thick. It is mounted to the wall by means of two screws.
- **CORD:** made of nylon. It reaches a maximum length of 2,100 mm
- Screws and plugs for installation to the wall are provided

Technical Specifications

Cover dimensions	$\varnothing 91 \times 55 \text{ mm}$
Button retainer plate dimensions	$66 \times 32 \times 5 \text{ mm}$
Cover & button retainer plate thickness	0.6 mm
Mounting bracket thickness	0.9 mm
Cord extension	<i>Max. 2,100 mm</i>

Dimensions



Dimensions: $\pm 4\%$

MOUNTING

Fix the wall mounting plate and the button retainer plate on the wall using the provided screws through the corresponding holes (points indicated by an "S" in the upper figure).

Hang the cover on mounting plate and tighten the lock screw to lock unit to plate.

OPERATION

Pull out clothesline and hook cord knob into retainer plate on opposite wall. Turn center locking knob clockwise to keep cord from sagging when in use. Nylon is retracted automatically by spring-actuated reel when center locking knob is released.