

SEATS

Reversible/Swing



AM0500
finish satin/white ivory

General Description:

- Reversible solid phenolic folding shower seat, waterproof, black edged, frame manufactured in stainless steel AISI 304, satin finish and with a wall bracket to assure the maximum safety for the end-user.
- Suitable to install inside the shower.
- Designed to withstand a maximum load of 113 kg, provided it is properly mounted to the wall.
- Structural assembly shall be of welded construction and all exposed edges and corners shall be radiused and/or deburred.
- Model shall comply with accessible design guidelines (including ADAAG in the U.S.A.)

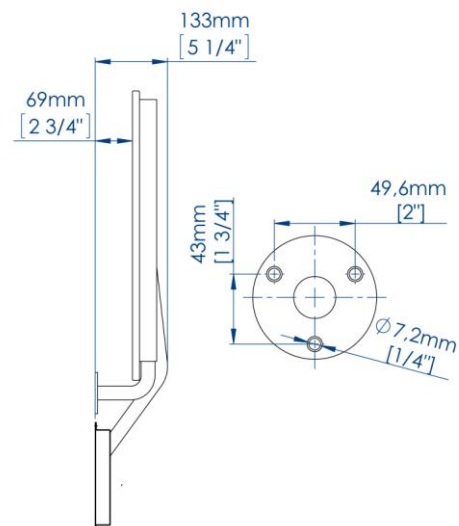
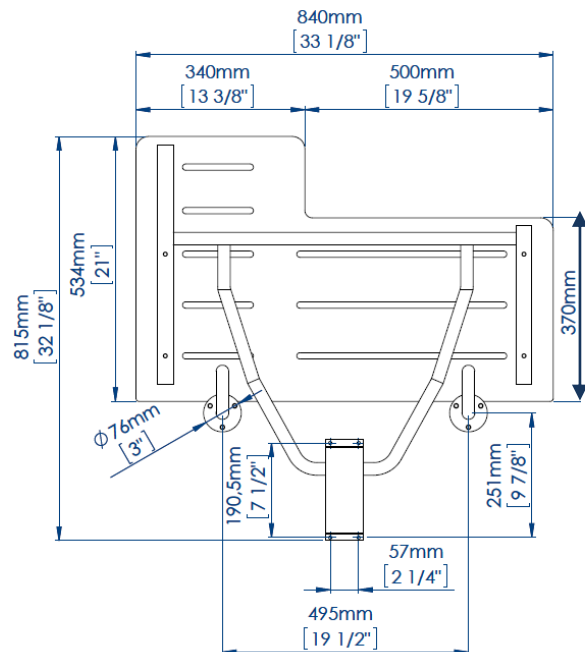
Components and materials:

- **AM0500:** AISI 304 stainless steel satin finish/ solid phenolic ivory-colored.
- **SEAT:** "L-shaped", it shall be solid phenolic ivory-colored with black edges, waterproof, shatterproof and easy to maintain. Reversible for left –or right- hand installation in the field. Secured to the frame with stainless steel carriage bolts and acorn nuts.
- **FRAME:** 18-8, type 304, stainless steel satin finish. 18-gauge (1.2 mm thick), 32 mm square tubing and 18-gauge (1.2 mm), 25 mm diameter seamless tubing.
- **MOUNTING FLANGES:** 18-8, type 304, stainless steel satin finish, 4.8 mm thick.
- **GUIDE BRACKET:** 18-8, type 304, stainless steel satin finish, 18-gauge (1.2 mm).

Technical Specifications:

Tube	Ø25 mm
Tube Thickness	1,2 mm(18-gauge)
Max. Supported load(*)	113 Kg

(*)Suitably mounted to the wall.



MOUNTING**RECOMMENDED HEIGHTS DISTANCE FROM THE FLOOR**

420-500 mm from the ground to the top of the seat.

This unit is surface mounted. Installer/construction contractor must provide concealed anchor plate or blocking as specified in construction documents or as required by local building regulations prior to wall finishing. Fasten unit flanges and guide bracket to concealed anchor or blocking plate with appropriate hardware. Note that concealed mounting plates or anchors and hardware are not supplied with this product and must be specified separately. Ensure that mounting configuration complies with local building regulations. Unit is reversible in the field for right or left hand installation.

Mediclinics, S.A., reserves the right to make changes and/or modifications to the products and their specifications without prior notice. *Revisión*
05-15 © mediclinics S.A

