


BG0900CS

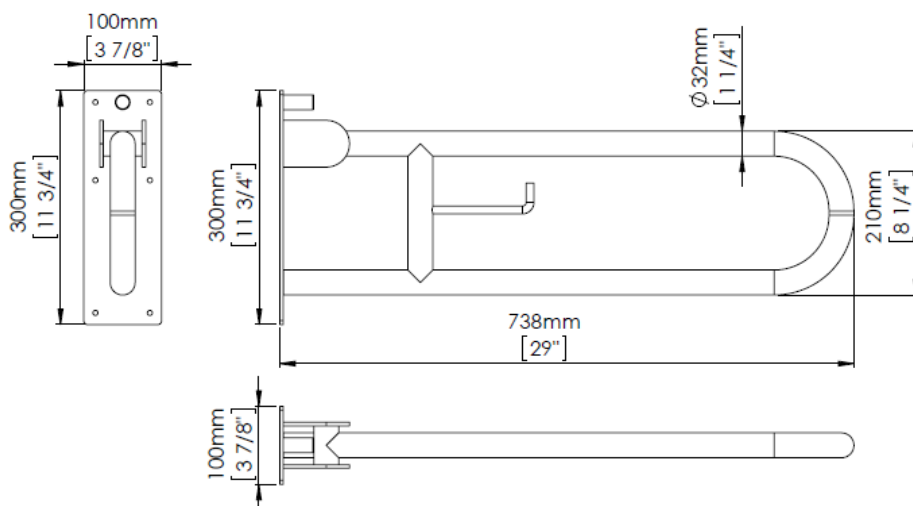
General description

- Vertical swing-up grab bar, 3 stable positions with toilet roll holder hock to place next to the toilet.
- It incorporates a safety anchoring system that blocks the bar in 3 different positions and avoids it falling down accidentally.
- Maximum load in charge depending of the installation wall and components.
- Suitable for bathrooms purposely designed for disabled or elderly people and for public use.
- Suitable to achieve barrier-free accessibility in bathrooms and public spaces.
- Highest durability and rusting resistance.

Components and materials:

- **BG0900C (optional by previous order):** stainless steel AISI 304, bright finish.
- **BG0900CS:** stainless steel AISI 304, satin finish.
- Bar tube \varnothing 32 mm (outer diameter), 1.5 mm thick. The bending process guarantees the uniformity of the diameter along the bends.
- Rectangular mounting flange 100x300 mm, 3 mm thick. Incorporates 6 \varnothing 6.5 mm screw holes for wall mounting. Compatible with fixation holes of BG0800... & BG0850... models.
- The swinging point is reinforced by means of a double tube.
- Elastomeric end of stroke in fixation plate.
- Stainless steel nuts and bolts for masonry walls.

Dimensions

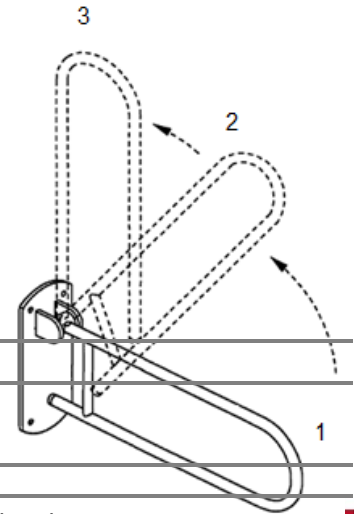


MEDINOX

Straight bar

Technical specifications

Dimensions	<i>100x300x738 mm</i>
Bar tube	<i>Ø 32mm</i>
Bar tube thickness	<i>1.5 mm</i>
Mounting flange	<i>100x300 mm</i>
Mounting flange thickness	<i>3 mm</i>



MOUNTING TEMPLATE

700-750 mm at lower point.

Mediclinics, S.A., reserves the right to make changes and/or modifications to the products and their specifications without prior notice
Revision 7-15 © mediclinics S.A.

