

### MEDIEPOXI/ MEDINOX

### Vertical swing grab bar with floor leg support



#### General description

- Drop-down grab bar with folding leg support and built in toilet paper holder, made of a 32 mm diameter tube and designed to be foldable, perfect to use in limited spaces.
- Opening system that transfers the support leg to the floor on moving the bar downwards.
- Safety system that blocks the bar in a vertical position to prevent it from dropping accidentally.
- This product is designed for bathrooms adapted for people with a variety of disabilities or mobility difficulties and is suitable for support at wash basins, wc-bidets, showers and bathtubs. Ideal in private homes, public handicapped toilets, hospitals, nursing homes and assisted living facilities.
- Optionally, they have a kit to avoid electrical conductivity (code KA0060).
- Stainless steel nuts and bolts included for masonry walls.

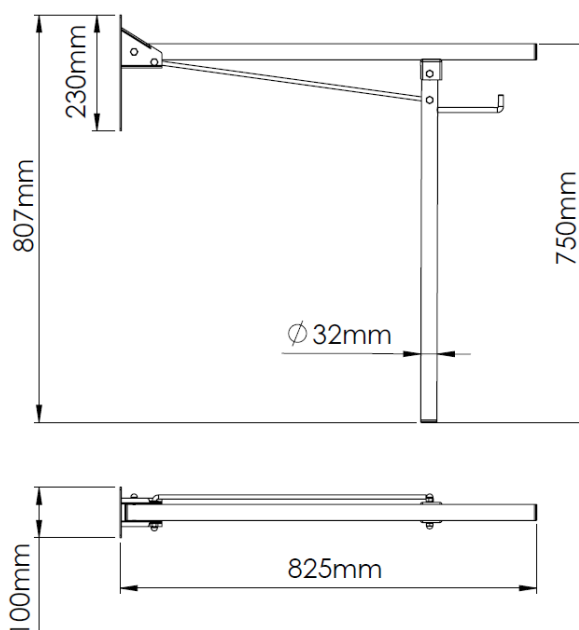
#### Components and materials

- **BG0820:** grab bar made of steel tube, white epoxy finish.
- **BG0820C:** grab bar made of AISI 304 stainless steel tube, bright finish.
- **BG0820CS:** grab bar made of AISI 304 stainless steel tube, satin finish.
- **GRAP BAR:** made of 32 mm diameter tube, seamless construction. Fixed to the wall plate through two gusset plates and by means of an M8x45 screw, which performs the functions of pivot axis of the swing grab bar.
- **FOLDING LEG:** made with a 32 mm diameter and 694 mm length tube. It incorporates a paper roll dispenser made of diameter 10 mm and 130 mm long rod. Assembles a black plastic cap on its lower end that avoids rubbing and scratching the floor.
- **WALL PLATE:** made of a 3 mm thick plate. Two 3 mm thick gusset plates, welded to the plate, perform the function of supporting the pivot axis of the folding bar. The wall mounting plate also has six Ø 6.5 mm countersunk holes for fixing the bar to the wall.
- **PAPER ROLL DISPENSER:** made of a 10 mm diameter rod and welded to the leg support.

#### Technical specifications

|                                      |                           |
|--------------------------------------|---------------------------|
| <b>Dimensions</b>                    | <i>825 x 807 x 100 mm</i> |
| <b>Bar and leg diameter</b>          | <i>Ø 32 mm</i>            |
| <b>Wall plate thickness</b>          | <i>3,0 mm</i>             |
| <b>Paper roll dispenser diameter</b> | <i>Ø 10 mm</i>            |

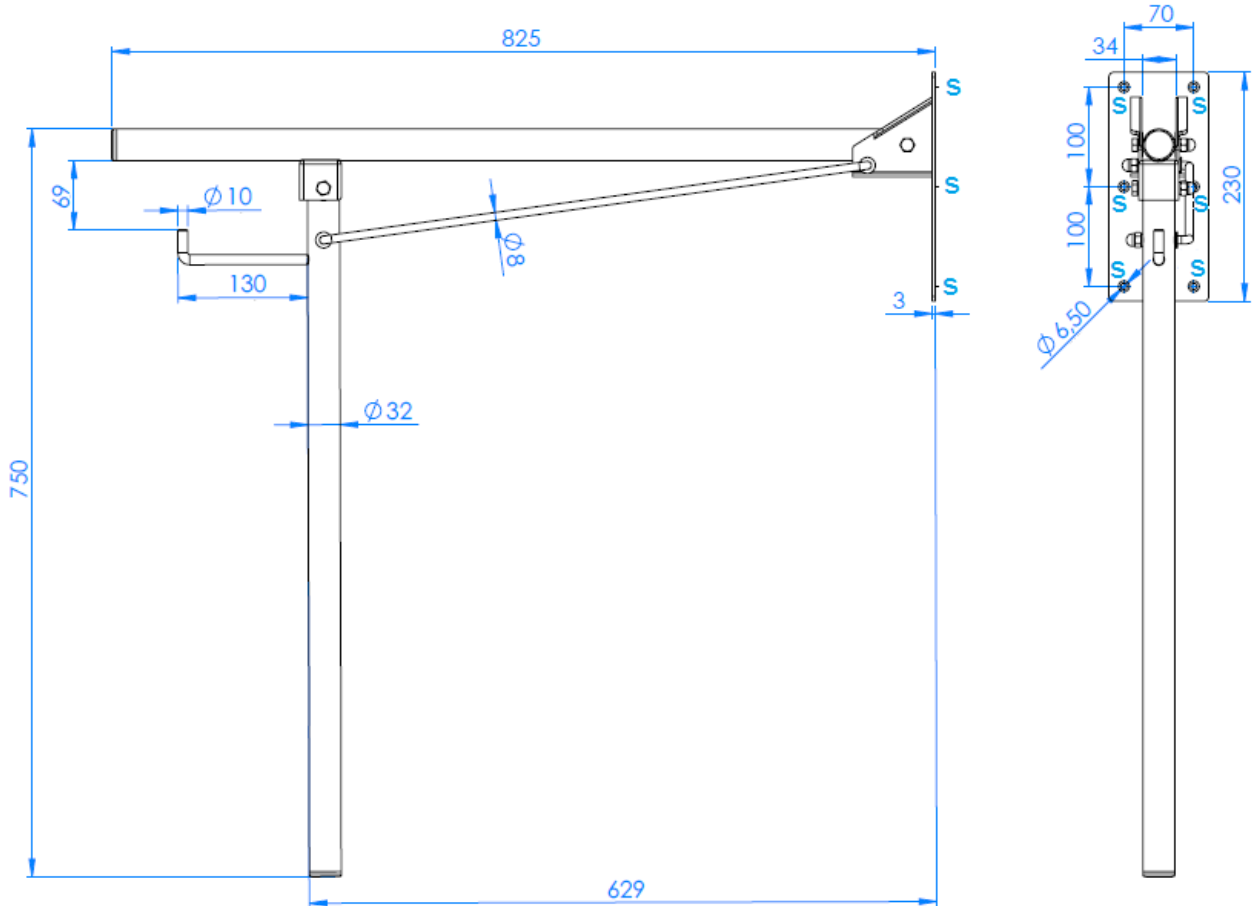
#### Dimensions



Dimensions: ± 4%

## MOUNTING TEMPLATE

Fix the swing-up grab bar to the wall through the 6 holes of the wall plate, using the screws provided and taking into account the distances of the points indicated by an "S" in the following figure:



**It is not recommended to install the Mediepoxy line bars in places where the bars will be in direct contact with water, in damp and/or chlorinated environments.**

**Mediclinics is not responsible for corrosion that may appear on the bars caused by abrasion on the anchorage points because of an improper installation.**

Mediclinics, S.A., reserves the right to make changes and/or modifications to the products and their specifications without prior notice  
Review 11-18 © mediclinics S.A.

