



MEDINOX	Straight bar
	
BR0300C, BR0400C, BR0600C, BR00750C, BR0900C & BR1200C (Bright finish)	BR0300CS, BR0400CS, BR0600CS, BR00750CS, BR0900CS & BR1200CS (Satin finish)

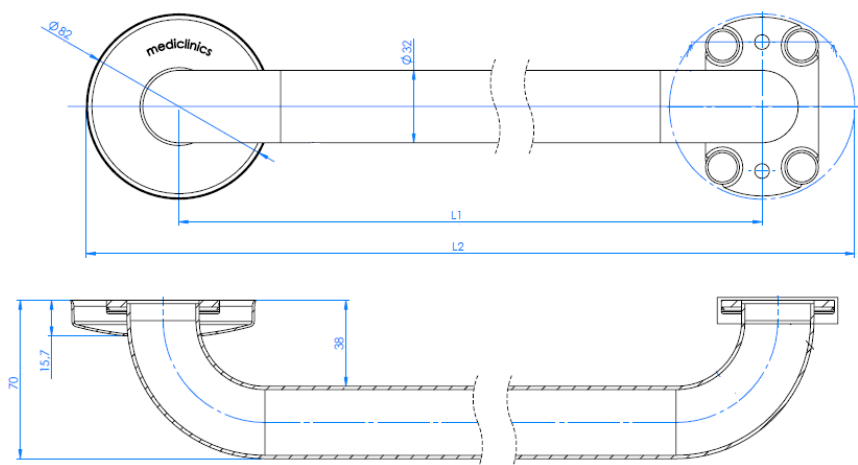
General description

- Straight grab bar with snap flange made of AISI 304 stainless steel, for horizontal, vertical or slanting installation.
- Suitable for specific bathrooms for people with mobility problems, elderly people or the handicapped. Model suitable for both home and public use.
- This safety bar provides an easily accessible grip all around.
- Highest durability and rusting resistance.
- Optionally, they have a kit to avoid electrical conductivity (code KA0020).
- Stainless steel nuts and bolts for masonry walls included.

Components and materials

- **BR0300C, BR0400C, BR0600C, BR00750C, BR0900C & BR1200C:** grab bars made of AISI 304 stainless steel tube, bright finish.
- **BR0300CS, BR0400CS, BR0600CS, BR00750CS, BR0900CS & BR1200CS:** grab bars made of AISI 304 stainless steel tube, satin finish.
- **TUBING:** made of 32 mm diameter tube, seamless construction. The bending process guarantees the uniformity of the diameter along the bends.
- **CONCEALED MOUNTING FLANGE:** two units made of stainless steel AISI 304, 3 mm thick. Incorporates two \varnothing 6.5 mm screws holes for wall mounting.
- **SNAP FLANGE COVER:** two units made of stainless steel AISI 304, 0.8 mm thick and \varnothing 82 mm. Each cover snaps over mounting flange to conceal mounting screws.

Dimensions



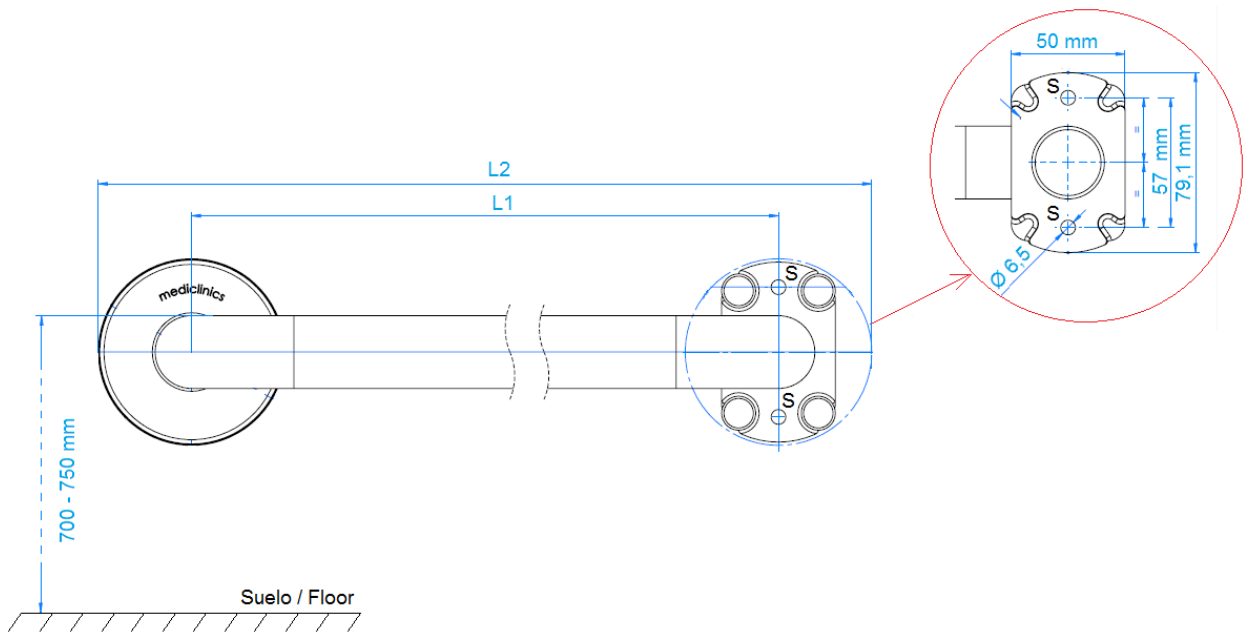
Version table		
Ref.	L1	L2
BR300C	305mm	387mm
BR300CS	305mm	387mm
BR400C	455mm	537mm
BR400CS	455mm	537mm
BR600C	610mm	692mm
BR600CS	610mm	692mm
BR750C	760mm	842mm
BR750CS	760mm	842mm
BR900C	915mm	997mm
BR900CS	915mm	997mm
BR1200C	1118mm	1200mm
BR1200CS	1118mm	1200mm

Technical specifications

Dimensions	See version table
Bar tube	Ø 32mm
Mounting flange	50x79 mm
Mounting flange thickness	3 mm
Snap flange cover	Ø 82 mm
Snap flange cover thickness	0.8 mm

MOUNTING TEMPLATE

Fix the grab bar to the wall through the 2 holes of the mounting flanges to the wall, using the screws provided and taking into account the distances of the points indicated by an "S" in the following figure:



Mediclincs, S.A., reserves the right to make changes and/or modifications to the products and their specifications without prior notice
 Review 11-18 © mediclincs S.A.

