

MEDINOX

90° angled bar stainless steel AISI 304



BAD090C
Bright finish



BAD090CS
Satin finish



BAI090C
Bright finish



BAI090CS
Satin finish

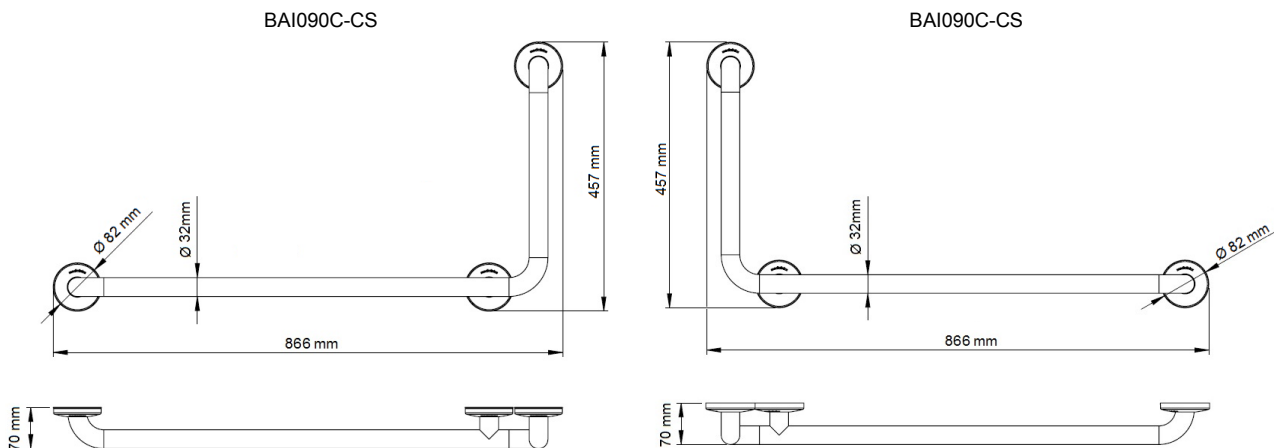
General description

- Grab bar, 90° angle to the right (BAD090C & BAD090CS) or to the left (BAI090C & BAI090CS) with snap flange cover, made of stainless steel AISI 304, for showers, baths and changing rooms.
- These grab bars are very useful and highly recommended to achieve barrier-free accessibility both residential and public spaces.
- Concealed screw mounting flanges.
- Highest durability and rusting resistance.
- Mounting hardware for brick wall is included for easy installation.

Components and materials

- **BAD090C & BAI090C:** AISI 304 stainless steel, bright finish.
- **BAD090CS & BAI090CS:** AISI 304 stainless steel, satin finish.
- **TUBING:** made of 32 mm diameter tube, seamless construction. The bending process guarantees the uniformity of the diameter along the bends.
- **CONCEALED MOUNTING FLANGE:** three units made of AISI 304 stainless steel, 3 mm thick. Incorporates two Ø 6.5 mm screws holes for wall mounting.
- **SNAP FLANGE COVER:** three units made of stainless steel AISI 304, 1.5 mm thick and Ø 82 mm. Each cover snaps over mounting flange to conceal mounting screws.

Dimensions



Dimensions: ± 4%

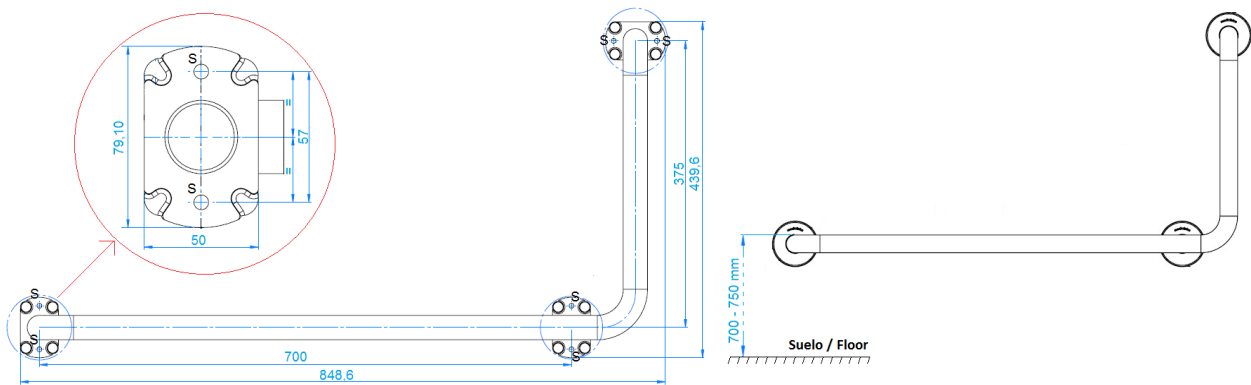
Technical specifications

Dimensions	870 x 460 x 85 mm
Bar tube	Ø 32mm
Mounting flange	50 x 79.10 x 3 mm
Mounting flange thickness	3 mm
Snap flange cover	Ø 82 mm
Snap flange cover thickness	1,5 mm

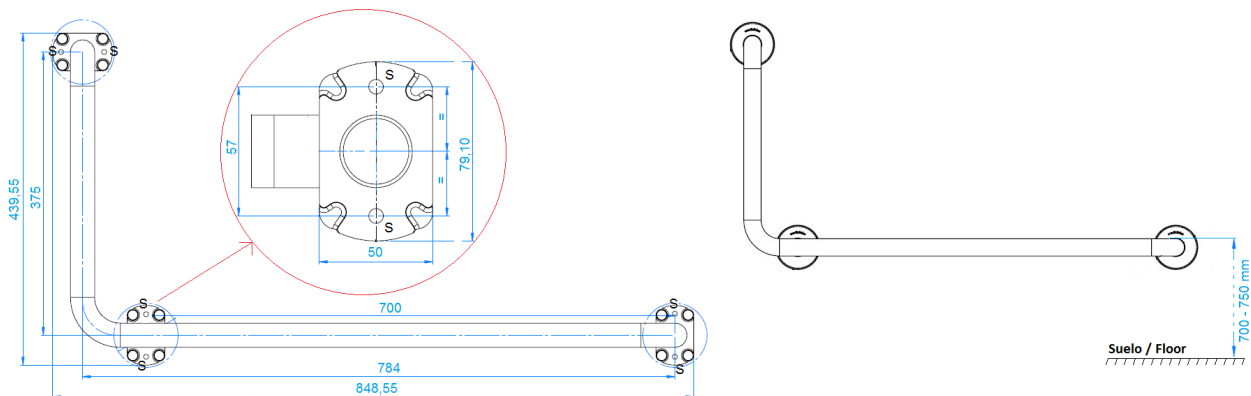
MOUNTING TEMPLATE

Fix the grab bar to the wall through the 2 holes of each mounting flanges to the wall, using the screws provided and taking into account the distances of the points indicated by an "S" in the following figure:

BAD090C-CS



BAI090C-CS



Mediclinics, S.A., reserves the right to make changes and/or modifications to the products and their specifications without prior notice
 Review 11-18 © mediclinics S.A.

