



BAD090
White finish



BAI090
White finish

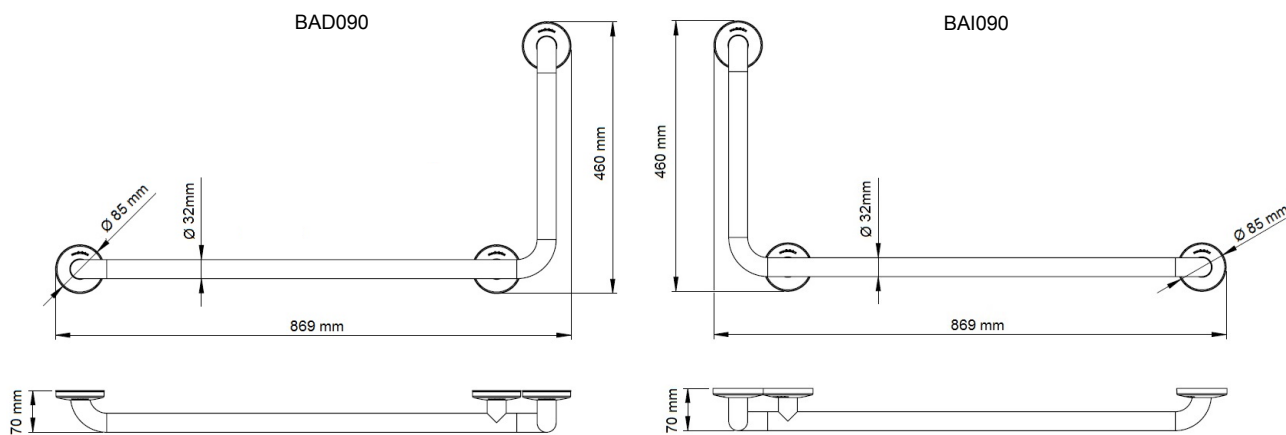
General description

- White epoxy-coated grab bars curved in 90°, to be installed on the wall, with Polypropylene snap flanges and made of Ø 32 mm steel tube.
- These grab bars make the daily life-management of not only the disabled and elderly people easier but also it is a great support for everybody who needs help with moving.
- Especially designed to achieve barrier-free accessibility in bathrooms and public spaces.
- With three snap flanges, made of white Polypropylene that provide a clean finished look hiding the mounting screws.
- Easy to clean.
- Optionally, they have a kit to avoid electrical conductivity (code KA0010).
- Fixing screws for brick wall included.

Components and materials

- **BAD090C & BAI090C:** right hand grab bar made of steel, white finish.
- **BAD090CS & BAI090CS:** left hand grab bar made of steel, white finish.
- **TUBING:** made of 32 mm diameter tube, seamless construction. The bending process guarantees the uniformity of the diameter along the bends.
- **CONCEALED MOUNTING FLANGE:** three units made of steel, 3 mm thick. Incorporates two Ø 6.5 mm screws holes for wall mounting.
- **SNAP FLANGE COVER:** three units made of Polypropylene, 1.5 mm thick and Ø 85 mm. Each cover snaps over mounting flange to conceal mounting screws.

Dimensions



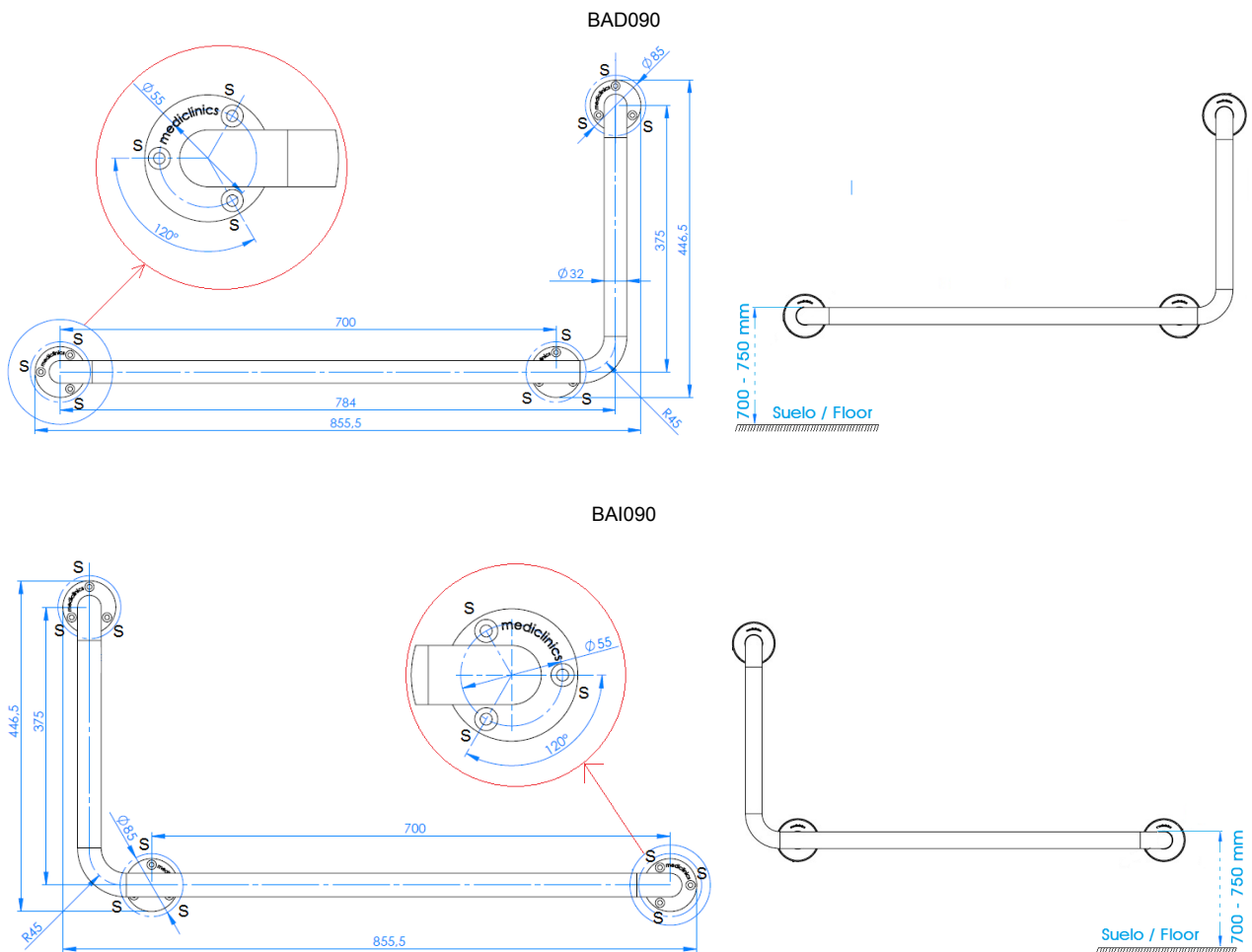
Dimensions: ± 4%

Technical specifications

Dimensions	869 x 460 x 70 mm
Bar tube	Ø 32mm
Mounting flange	Ø 71.5 mm
Mounting flange thickness	3 mm
Snap flange cover	Ø 85 mm
Snap flange cover thickness	1.5 mm

MOUNTING TEMPLATE

Fix the grab bar to the wall through the 3 holes of each mounting flanges to the wall, using the screws provided and taking into account the distances of the points indicated by an "S" in the following figure:



It is not recommended to install the Mediepoxy line bars in places where the bars will be in direct contact with water, in damp and/or chlorinated environments.

Mediclinics is not responsible for corrosion that may appear on the bars caused by abrasion on the anchorage points because of an improper installation.

Mediclinics, S.A., reserves the right to make changes and/or modifications to the products and their specifications without prior notice
 Review 01-19 © mediclinics S.A.

