



BG0089CS
Satin finish

General description

- Trapezoidal folding support bar with horizontal rotation and a paper roll holder, made of a 32 mm diameter AISI 304 stainless steel tube, satin finish.
- Disposes of two support points to fix the grab bar both to the wall and floor.
- Suitable for specific toilets for the elderly or those with reduced mobility. Designed to get bathrooms and public places with total accessibility and barrier-free.
- It incorporates a safety anchoring system that locks the bar perpendicular to the wall and prevents it from accidentally turning. It is unlocked at the user convenience by activating the fixing handle.
- The bar offers two different areas with a safety anti-slip finish, in order to increase grip for a better user safety in a wet or dry condition.
- Maximum durability and resistance to rust.
- Optionally, it has a Kit to avoid electrical conductivity (KA0060 + KA0020).
- Stainless steel nuts and bolts for masonry walls are included.

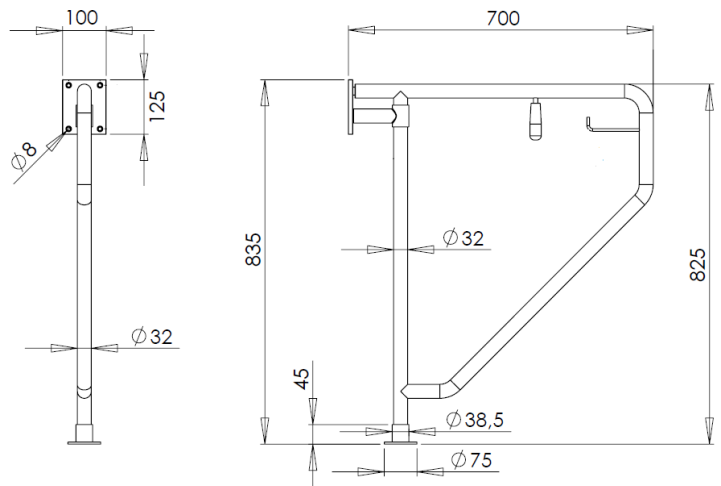
Components y materials

- **FOLDING BAR:** folded in a trapezoidal shape and manufactured with a 32 mm diameter AISI 304 stainless steel tube satin finish. Both bar ends are welded to the vertical column, made of a 32 mm diameter stainless steel AISI 304 tube. The grip zones of the bar have a safety anti-slip finish to improve the user safety. It incorporates a paper roll holder 120 mm length, made of a 6 mm diameter AISI 304 stainless steel rod.
- **WALL MOUNTING PLATE:** made of an AISI 304 stainless steel satin finish rectangular plate of 125 x 100 mm and 10 mm thick. It incorporates four Ø 8 mm countersunk holes, to fix the bar to the wall.
- **FLOOR MOUNTING PLATE:** made of an AISI 304 stainless steel satin finish circular plate of Ø 75 mm and 5 mm thick. It incorporates three Ø 7 mm countersunk holes to fix the bar on the floor.
- **UNLOCK HANDLE:** made of black thermoplastic.

Technical specifications

| | |
|---------------------------------------|--------------------|
| Dimensions | 700 x 835 x 100 mm |
| Grab bar and column diameter | Ø 32 mm |
| Wall mounting plate thickness | 10.0 mm |
| Floor mounting plate thickness | 5.0 mm |
| Paper roll holder diameter | Ø 6.0 mm |

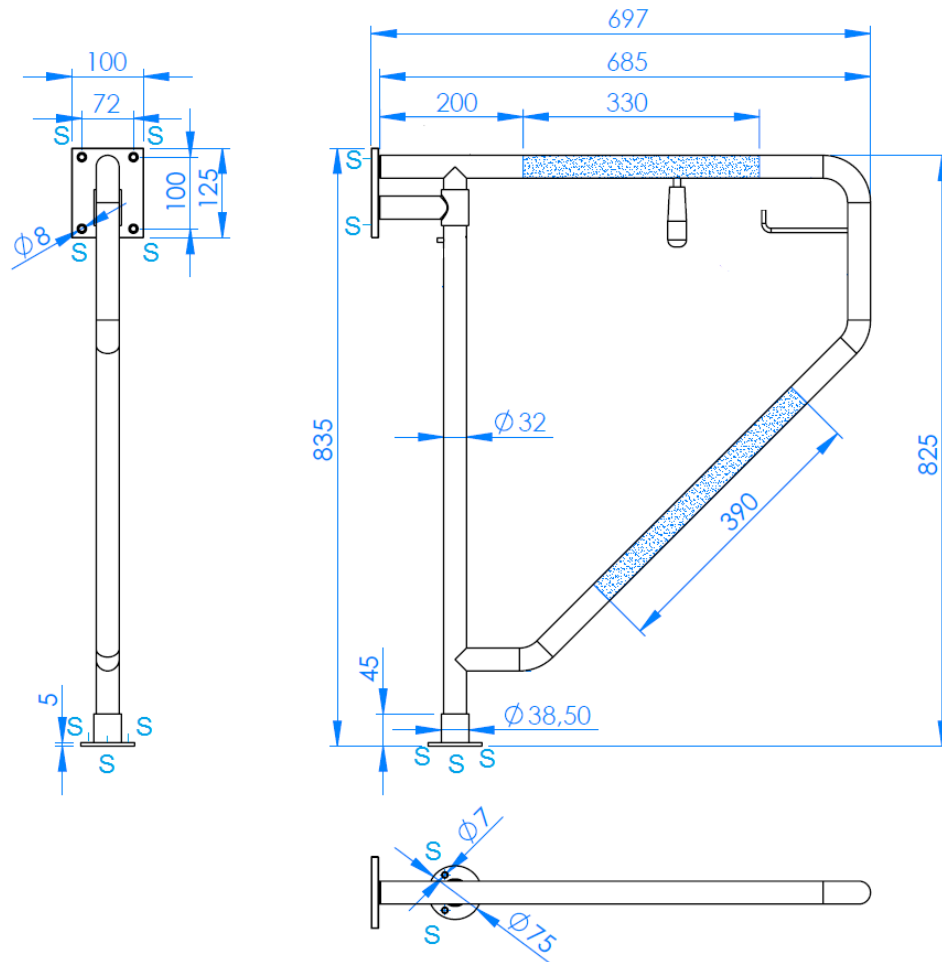
Dimensions



Dimensions: ± 4%

MOUNTING TEMPLATE

Fix the support bar both to the wall and floor through the holes of the wall and floor plates, using stainless steel screws and taking into account the distances of the points indicated by an "S" in the next figure:



Mediclinics, S.A., reserves the right to make changes and/or modifications to the products and their specifications without prior notice
Review 11-18 © mediclinics S.A.

