

ROLL

Semiautomatic / Wall-mounted



DT0208ACS
Satin finish

General Description

- Arc Front Surface Mounted Auto-Cut Roll Paper Towel Dispenser shall hold and dispense one 205mm wide, 170 mm diameter, non-perforated paper towel rolls.
- Touch-Free pull towel mechanism dispenses one 280 mm length of towel paper per pull. User only touches the paper.
- Structural assembly of all components shall be of welded construction.
- Compact, robust and vandal-proof design.
- Suitable for collectivities. It can be installed in hospitals, elderly centers, offices, production centers kitchens and catering, etc.

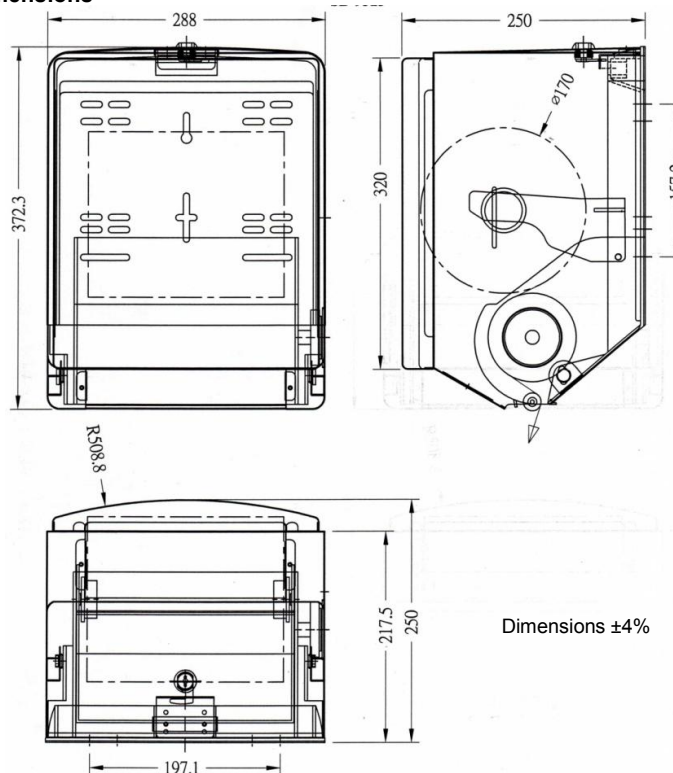
Components & materials

- **DT0208ACS:** Stainless steel satin finish, 0.8 mm thick.
- **UNIT FRAME AND CABINET:** made in stainless steel AISI 304, 0.8 mm thick.
- **COVER:** made in stainless steel AISI 304, 0.8 mm thick. It is attached to the back plate with two pivots and shall be held closed with a tumbler lock keyed alike to other washroom equipment. Locking door prevents unauthorized access or removal.
- **OPERATION LABEL:** permanently affixed to inside rear panel to illustrate correct paper loading.

Technical Specifications

Unit frame, cabinet & cover thickness	0,8 mm
Roll diameter	Ø170 mm
Paper width	205 mm

Dimensions



OPERATION

A piece of paper towel is always ready for service at the paper towel tray. Pull off this piece of paper towel and cut it. A new piece of paper towel will appear automatically at the towel tray for next service. Repeat the action until obtaining the desired amount of paper towels.

MOUNTING

RECOMMENDED HEIGHTS DISTANCE FROM THE FLOOR

130-160 cm at lower point (usual mounting) // 85-120 cm at lower point (for the handicapped).