

SURFACE

Push-button



DJS0033
White epoxy finish



DJS0033B
Black epoxy finish



DJS0033C
Bright finish



DJS0033CS
Satin finish

General Description

- Spray soap dispenser of 1.5 L capacity, manufactured in stainless steel AISI 304, 0,8 mm thick, to be installed directly on the wall and hand-operated by means of a push-button.
- Available in three finishes (white, bright and satin) these soap dispenser models have a functional, robust and trendy design that matches the new range of Mediclinics bathroom accessories. This allows this soap dispenser to blend into any space perfectly.
- Suitable for high traffic facilities and for public use.
- Dispenses liquid disinfectant soaps.

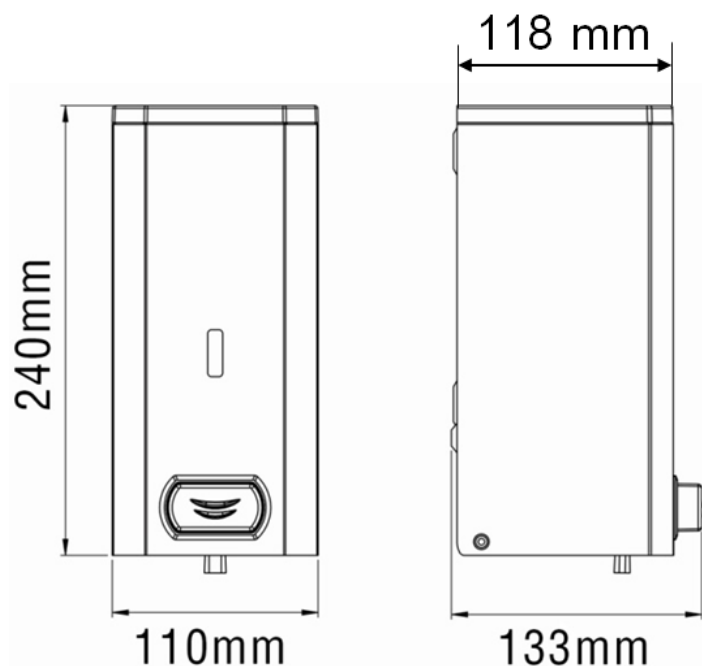
Components & materials

- **DJS0033:** Stainless steel AISI 304, white epoxy finish.
- **DJS0033C:** Stainless steel AISI 304, bright finish.
- **DJS0033CS:** Stainless steel AISI 304, satin finish.
- **DJS0033B:** Stainless steel AISI 304, black epoxy finish.
- Level display in the front part that constantly indicates the level of soap available inside the soap dispenser.
- Inner plastic tank that prevents oxidation and that can be easily removed for cleaning and disinfection purposes.
- Push-button made in stainless steel.
- Anti-drip corrosion resistant valve that dispenses 0.8 ml of soap per service. This anti-drip valve, which dispenses liquid disinfectant soap, is easily interchangeable with the valves of the other soap dispensers of the same line.
- Hinged cover for operator convenience and speed of service.
- Opening on top with provided Mediclinics key that allows soap refill.
- It is mounted on the wall by means of four Ø4 stainless steel screws (provided) with their corresponding Ø 6mm plastic plugs (also provided).
- It is recommended to use liquid disinfectant soaps with a density of 0.80 kg/dm³ and maximum of alcohol content of 85%.

Technical Specifications

Dimensions	240 x 110 x 133 mm
Capacity	1.500 ml
Body, cover & base plate thickness	0.8 mm
Inner Tank Thickness	2.5 mm
Net weight	1.25 Kg
Quantity dispensed per pump	0.8 ml

Dimensions



Dimensions ± 4%

OPERATION

Place one hand just under the soap dispenser valve and press the center push-button until the end of the soap dosage.

MOUNTING TEMPLATE

10-15 cm from shelf.

Mediclinics, S.A., reserves the right to make changes and/or modifications to the products and their specifications without prior notice.
Revision 09-15

© mediclinics. S.A

