

INDUSTRIAL

Paper roll



PR0783
white epoxy finish



PR0783C
bright finish



PR0783CS
satin finish

General Description:

- Circular toilet paper dispenser for industrial rolls of 250/300 m, surface mounted.
- Manual dispensing.
- Robust and vandal-proof.
- Suitable for very high traffic facilities.
- Model suitable for public use with high strength and durability.

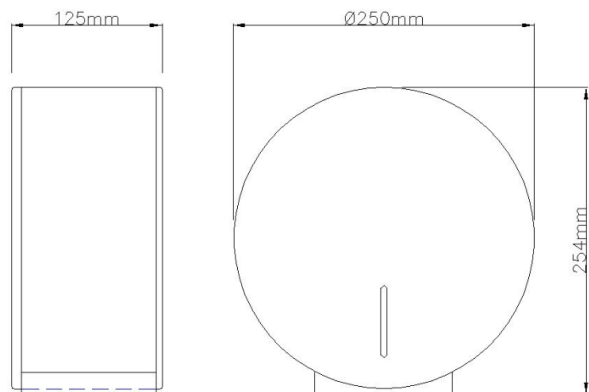
Materials & components:

- **PR0783:** steel, 0.8 mm thick, white epoxy finish.
- **PR0783C:** stainless steel AISI 304, 0.8 mm thick, bright finish.
- **PR0783CS:** stainless steel AISI 304, 0.8 mm thick, satin finish.
- One-piece body, 0,8 mm thick, round Ø 250 mm, fully sealed and with a catch system to prevent the opening of the door. The supports of the screws in the back of the appliance, are acting as an anti-moisture support, as well as slots to avoid the screws damaging the toilet paper. It is mounted on the wall by means of 3 wood screws with their corresponding 5 mm wall plugs. It includes a lock system with standard mediclinics® key, that allows opening the lid for replenishment.
- Stainless steel AISI 304 shaft, 0.8 mm thick, for standard 45 mm paper roll tube, with inertial anti-spin retainer. The axis allows the use of a standard paper roll in case of need.
- One-piece seamless lid, 0.8 mm thick, fully sealed. Fixed to the body by means of rivets that allows swinging down of the lid for the replenishment.
- Frontal window indicates refill time.

Technical specifications:

Dimensions	Ø 250 x 125 mm
Paper roll capacity	Max. Ø 230 mm
Thickness of body and lid	0,8 mm
Weight (empty)	1,3 kg
Toilet roll width	Max. 115 mm
Toilet roll tube	Min. Ø 45 mm

Dimensions



MOUNTING TEMPLATE

65-75 cm at lower point // 70 cm at lower point (for handicapped people).