

Care Solutions · Cavere Care

Cavere Care Shower handrail

Order number: 7484060095

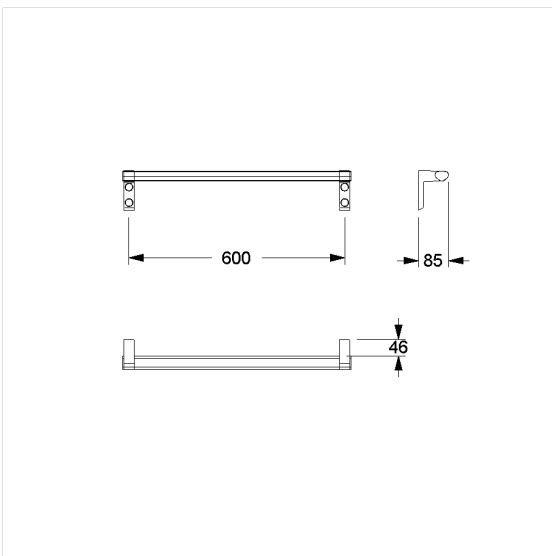
Product image



Technical specifications

Product group	7000
Product	Shower handrail
Axle dimension a1	600 mm
Fixing type	L-support
Fixing points	2 Piece
Material	aluminium
Surface	scratch-resistant powder coating with antibacterial protection (except 091 Carbon black)
Colour	available in Cavere colours
Version	left and right
Loading	max. 150 kgs

Technical drawing



Product description

- Cavere Care as an award-winning product family with excellent design for all requirements
- ergonomic by trigonometric handle contour
- In case of lightweight partition walls a backfill made of min. 20mm hardwood is needed
- CE-certified
- meets the requirements of German standard DIN 18040 and Austrian standard ÖNORM B 1600
- supplied with stainless steel Torx screw $s\varnothing 6 \times 70$ mm and plugs



Antibac

