

Product data sheet

Care Solutions

NORMBAU

PASSION FOR CARE

Care Stool

Order number: 8750030018

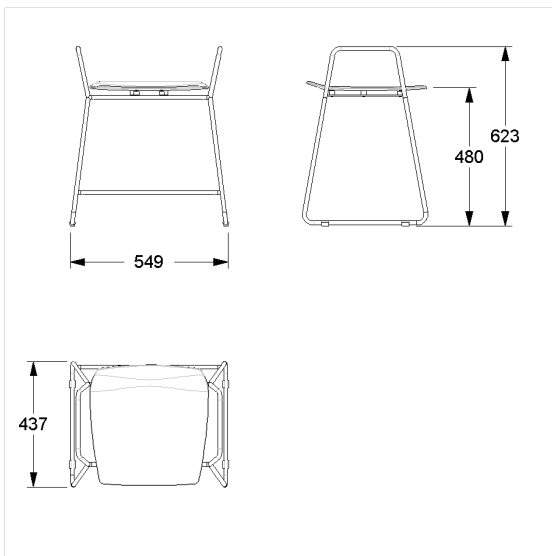
Product image



Technical specifications

Product group	8700
Product	Stool
Length	548 mm
Height	623 mm
Width	437 mm
Material	Polypropylene, Frame made of stainless steel, material No. 1.4301 (A2 AISI 304)
Surface	matt
Colour	available in Dark grey (018) and White (019)
Loading	max. 150 kgs

Technical drawing



Product description

- Ascento as Modular Seating Solution, expandible and combinable
- ergonomic formed seat with rounded outer edges
- upper extended bow arms that serve as grab rails
- with non-slip rubber buffers in colour black

