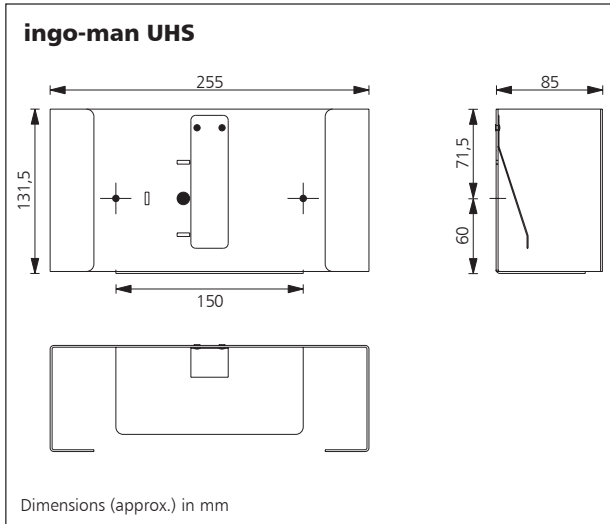


ingo-man® UHS E • RRH

holding system for examination gloves • stainless steel
for all current package sizes
for wall mounting or tubular frame fixing



Ophardt Hygiene-Technik GmbH + Co. KG
Lindenau 27 • D-47661 Issum
Tel.: +49 2835 18-0 • Fax: +49 2835 18-77
E-Mail: info@ophardt.com • www.ophardt.com



Holding system for examination gloves

- ▶ for universal application
- ▶ for all current package sizes
- ▶ made of stainless steel, ground

Technical Data UHS E

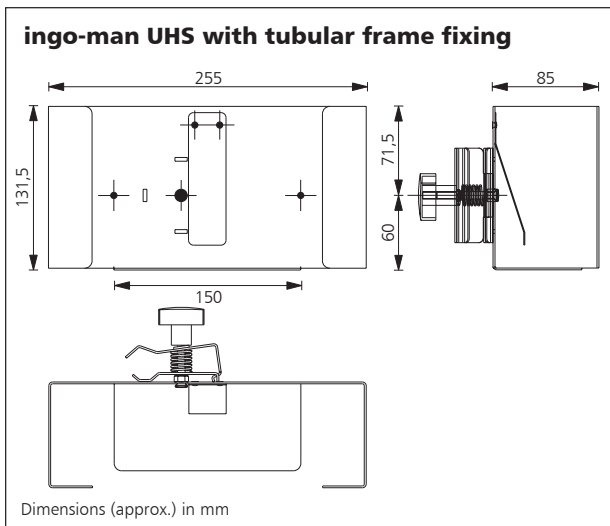
Material: Stainless steel, ground
Wall mounting: with two plugs and stainless steel screws

Technical Data RRH

Material: Stainless steel
Mounting: with one stainless steel screw on the holding system

Description for tender

ingo-man UHS E Art.-No. 1413316
..... pcs. dispenser for examination gloves,
stainless steel, ground
Dimensions: W 255 x H 131,5 x D 85 mm



ingo-man RRH Art.-No. 1413329
..... pcs. mounting set for tubular frame fixing

Product: **ingo-man®**
Manufacturer: OPHARDT HYGIENE-TECHNIK GmbH + Co. KG