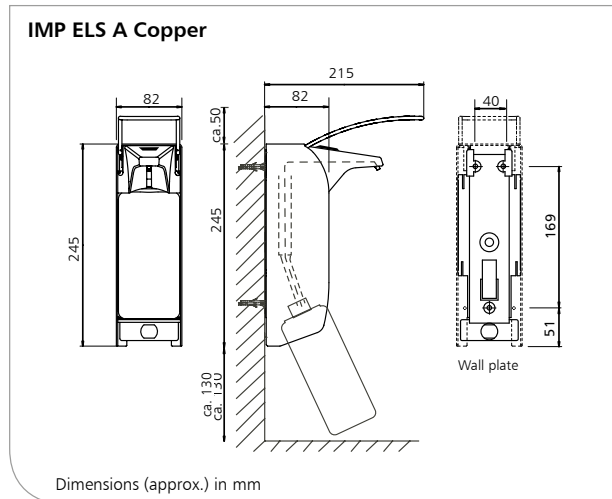


IMP ELS A Copper - IMP TLS A Copper

Soap-/disinfectant dispenser for disposable bottles as well as refillable containers and hygiene packages, copper impregnated aluminium, long operating lever, 500 ml or 1000 ml

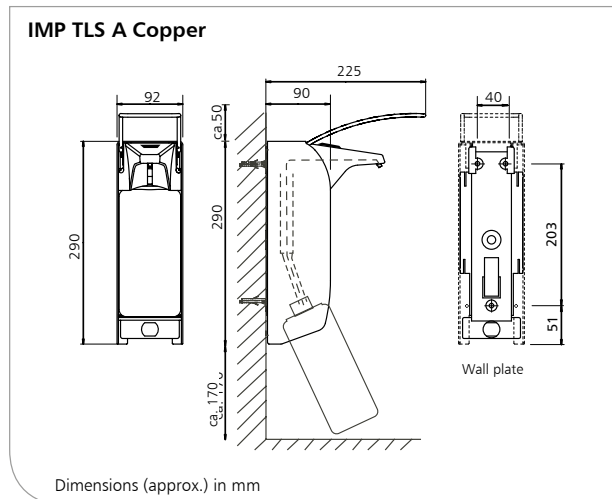


Product characteristics

- ▶ Dispenser for liquid soaps without grit, alcoholic hand disinfectants, lotion, massage oil, etc.
- ▶ For 500 ml or 1000 ml disposable bottles as well as refillable containers and hygiene packages
- ▶ With replaceable pump
- ▶ Pivoting face shield for simple pump replacement from the front without having to remove the dispenser from the wall
- ▶ Incl. mounting kit for three-point wall mounting

Interesting information

- References:
- ▶ Clinics, doctors' practices, health and care facilities, laboratories, rescue stations, commercial kitchens, foodstuffs industry, commercial and industrial operations
- Application examples:
- ▶ Particularly well suited to areas where hand hygiene is critical and in medical and food processing areas



Technical data

- Housing: Copper impregnated, anodised aluminium
- Dosing pump: IMP 24 series stainless steel pump, standard pump, angled stainless steel suction tube, autoclavable, stainless steel pump cylinder
- Dispensing quantity: Dispensing quantity adjustable to ca. 0.75 ml/1.0 ml/1.2 ml/1.5 ml (depending on the viscosity of the filling material)
- Operating lever: Brass
- Wall plate: Standard ingo-man® plastic wall plate
- Wall mounting: Wall mounting with 3 screws and wall plugs
- Cleaning: Dispenser and standard pump dishwasher-safe and autoclavable up to 134° C, 2 bar

Description for tender - see overleaf

IMP ELS A Copper - IMP TLS A Copper
1216/1.0



Subject to technical modifications.
Tests are required before new filling materials are used!



OPHARDT Hygiene-Technik GmbH + Co. KG
Lindenau 27 | 47661 Issum | Germany
Tel.: +49 2835 18-10 | Fax: +49 2835 18-77
www.ophardt.com | E-Mail: planer@ophardt.com

IMP ELS A Copper - IMP TLS A Copper

Soap-/disinfectant dispenser for disposable bottles as well as refillable containers and hygiene packages, copper impregnated aluminium, long operating lever, 500 ml or 1000 ml

Description for tender

ingo-man® plus IMP ELS A Copper

Art. No. 4400897

. . . Pcs. Soap-/disinfectant dispenser, 500 ml, suitable for standard disposable bottles, refillable containers and hygiene packages, copper impregnated, anodised aluminium housing, long operating lever made from brass to reduce germs, with identification clip, incl. empty bottle, replaceable IMP 24 seriesstainless steel pump, easy pump replacement through front removal, autoclavable and dishwasher-safe
Dimensions: W 82 x H 245 x D 215 mm

ingo-man® plus IMP TLS A Copper

Art. No. 4400898

. . . Pcs. Soap-/disinfectant dispenser, 1000 ml, suitable for standard disposable bottles, refillable containers and hygiene packages, copper impregnated, anodised aluminium housing, long operating lever made from brass to reduce germs, with identification clip, incl. empty bottle, replaceable IMP 24 seriesstainless steel pump, easy pump replacement through front removal, autoclavable and dishwasher-safe
Dimensions: W 92 x H 290 x D 225 mm

Product:

ingo-man® plus

Manufacturer:

OPHARDT HYGIENE-TECHNIK GmbH + Co. KG