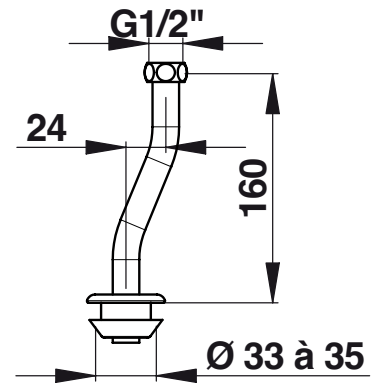
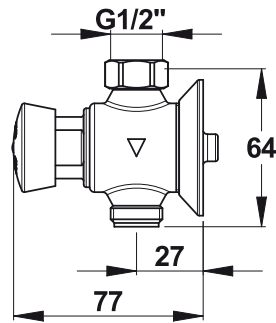


TECHNICAL DATA SHEET

PRESTO®

Range: Self-Closing urinal valves

Ref: 31813 - Complete kit PRESTO 12 - In-line water inlet



> Working pressure:

- 1 to 5 bar

> Flow:

- 9 l/min at 3 bar - 4 positions flow adjustment device
- Anti-water-hammering design

> Flow time:

- 6 seconds (± 2 sec.)

> Hydraulic supply:

- In-line water inlet
- Arrivée et sortie M G 1/2" (15x21)

> Application:

- Complete kit ready to install for ALLIA urinal reference Satolas
- Complete kit ready to install for DURAVIT urinal reference Ben / Katja / Pago // Jim / Starck 3
- Complete kit ready to install for IDEAL STANDARD urinal reference Esprit / San/ Remo
- Complete kit ready to install for JACOB DELAFON urinal reference Kerax
- Complete kit ready to install for LAUFEN urinal reference Caprino / Como
- Complete kit ready to install for PORCHER urinal reference 2691
- Complete kit ready to install for ROCA urinal reference Mural / Urito
- Complete kit ready to install for SELLES urinal reference Euroline 8645 / 8620/ / Mistral
- Complete kit ready to install for SPHINX urinal reference Eurobase 75 / 85 // Europa 85
- Complete kit ready to install for VILLEROY & BOCH urinal reference Targa/ pro
- Complete kit ready to install for VILLEROY & BOCH urinal reference Architect
- Complete kit ready to install for VITRA urinal reference Architek

> Delivered with:

- 1 PRESTO 12, urinal valve compatible NF
- 1 Equipped pipe 1/2" with water effect
- 1 Flat gasket
- 1 Nut
- 1 Loose wall flange
- Instruction manual

> Standards & approvals:

- Brass body in accordance with EN 1982, EN 12164, EN 12165
- Molded chrome-plated body in accordance with EN 12540
- 200-hour neutral salt spray resistant (NSS) in accordance with ISO 9227

