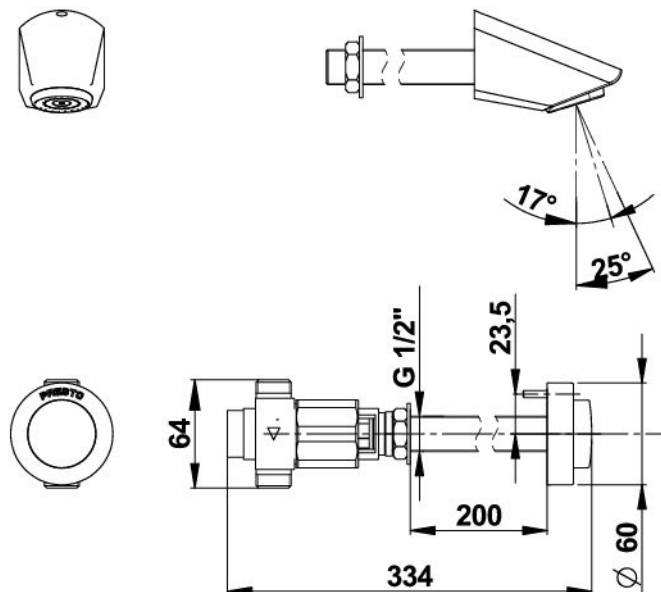


# TECHNICAL DATA SHEET

# PRESTO®

**Range :** Timed flow single tap for shower

**Ref :** 38240 - Cross-partition kit with PRESTO 500 S®



> **Working pressure :**

- 1 to 5 bar

> **Flow :**

- 6 l/min at 3 bar with integrated flow limiter
- Anti-water-hammering design

> **Flow time :**

- Adjustable by washer 30 second timer (-10/+5 seconds)

> **Hydraulic supply :**

- Inlet M G 1/2" (15x21) - Cold or premixed water

> **Thermal resistance :**

- Resistant to a temperature of 75°C for 30 minute thermal shock

> **Security :**

- Patented anti-blocking "S" system to avoid the water to flow continuously

> **Delivered with :**

- 1 Cross-partition control (15 to 300 mm thick)
- 1 Tap P 500 S® for shower
- Shower head with 17° or 25° directional grid
- 2 washers for flow time adjustment
- 1 Flat gasket
- 1 Nut 1/2" (15x21)
- Instruction manual

> **Standards & approvals :**

- Brass body in accordance with EN 1982, EN 12164, EN 12165
- 200-hour neutral salt spray resistant (NSS) in accordance with ISO 9227

This document is not contractual. We reserve the right to modify the characteristics of our products without notice in advance. All our brands and models are registered trade marks.

