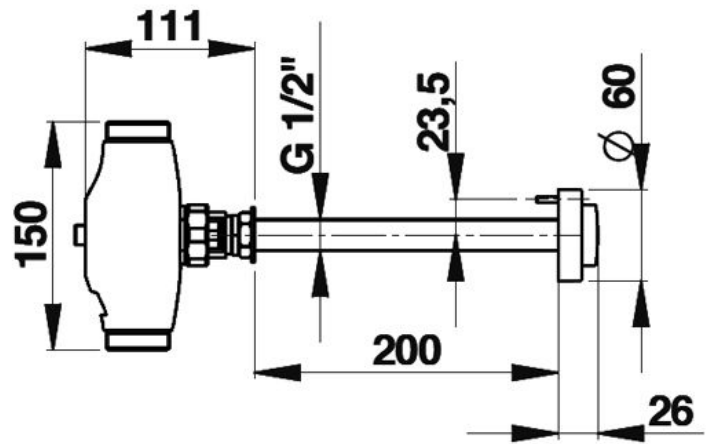
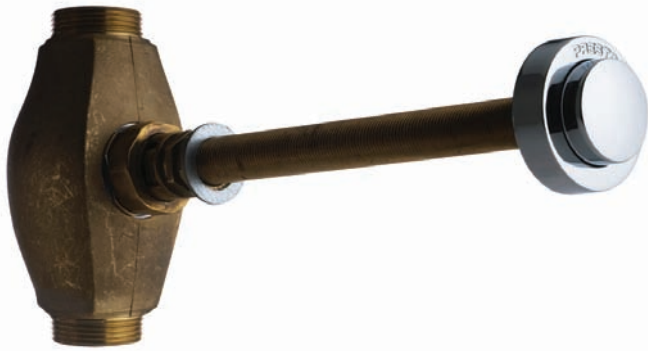


**Range :** Cross Partition control for flush valve  
**Ref :** 13060 - Presto éclair XL cross partition kit



**> Working pressure :**

- 1 to 5 bar

**> Volume of water delivered :**

- Adjustable from 6 to 9 litres with stop valve
- Anti-water-hammering design

**> Flow time :**

- From 7 to 9 seconds

**> Hydraulic supply :**

- MM G 1"1/4 In line
- Outlet connection on flush pipe  $\varnothing$  32 mm

**> Material and colour finish :**

- Body and cross-partition control in Brass
- Push Button in Brass, chrome finish

**> Security :**

- Anti-siphonic device

**> Delivered with :**

- 1 Ball valve integrated
- 1 cross partition control 15 to 200m
- 1 fitting out, 1 bent tube and 1 junction nozzle

**> Standards & approvals :**

- Brass body in accordance with EN 1982, EN 12164, EN 12165
- Molded chrome-plated body in accordance with EN 12540
- 200-hour neutral salt spray resistant (NSS) in accordance with ISO 9227

