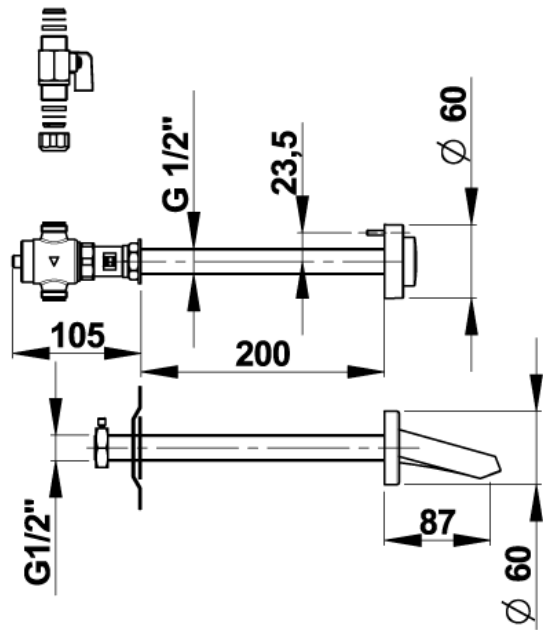


Range : Single deck-mounted tap

Ref : 31660 - Cross-partition kit PRESTO 512 S with short spout



> **Working pressure :**

- 1 to 5 bar

> **Flow :**

- 6 l/min at 3 bar - 4-position flow adjustment device
- Anti-water-hammering design

> **Flow time :**

- 15 seconds (± 5 sec.)

> **Hydraulic supply :**

- In-line water inlet
- M G 1/2" Inlet and outlet
- Cold water

> **Thermal resistance :**

- Resistant to a temperature of 75°C for 30 minute thermal shock

> **Security :**

- Patented anti-blocking "S" system to avoid the water to flow continuously

> **Delivered with :**

- 1 Cross-partition control (1 to 200 mm thick)
- 1 Short wall spout (Non-rotating fixing) 87 mm
- 1 Closing tap with S anti-blocking system
- 1 stop valve M 1/2" (15x21) / M 1/2" (15x21) with quick couplings (12x14 mm)
- Instruction manual

> **Standards & approvals :**

- Brass body in accordance with EN 1982, EN 12164, EN 12156
- Molded chrome-plated body in accordance with EN 12540
- 200-hour neutral salt spray resistant (NSS) in accordance with ISO 9227

