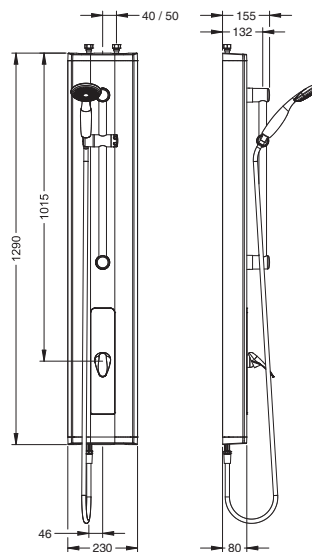


TECHNICAL DATA SHEET

PRESTO®

Range: PRESTOTEM 2

Ref: 88818 - Shower panel with single control mixer tap, with hand-held shower



> Working pressure :

- 1 to 5 bar

> Flow :

- 10 l/min with integrated flow limiter
- Hand-held shower on rail with chrome plated slide

> Hydraulic supply :

- G 1/2" (15x21), top or rear water inlet. For rear water inlet, we recommend to use the adaptation kit under the reference 91026.
- On single control mixer tap with ceramic disks

> Material :

- Anodised aluminium extruded section (2.5mm thickness)
- Aluminium removable valve plate, painted RAL 7005 colour
- High resistance RAL 7005 coloured ABS covers

> Functioning:

- Wide opening panel without the need to dismantle from the wall and shower taps on a removable valve plate

> Thermal resistance :

- Resistant to a temperature of 75°C for 30-minute-thermal-shocks

> Security :

- Adjustable tamper-proof temperature limiter to prevent scalding

> Delivered with :

- 1/2" hoses with revolving nuts
- MM 1/2" (15x21) straight stop valves and 250 micron filters
- Fastening screws and instruction manual

> Standards & approvals :

- Brass body in accordance with EN 1982, EN 12164, EN 12165
- Chrome-plated surface treatment in accordance with EN 12540
- 200-hour neutral salt spray resistant (NSS) in accordance with ISO 9227

