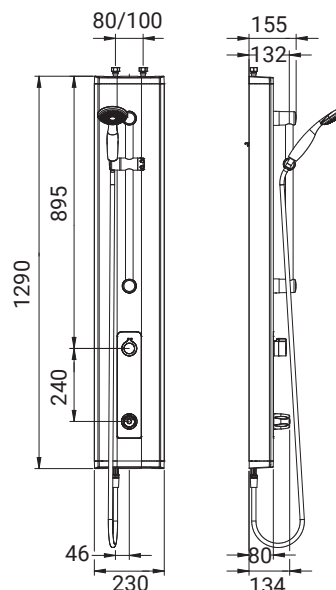


TECHNICAL DATA SHEET

PRESTO®

Range: PRESTOTEM 2

Ref: 88826 - Dual control shower panel with MASTERMIX® thermostatic tap



> Working pressure :

- 1 to 5 bar

> Flow :

- Maximum flow pre-fixed at 8 l/min with flow limiter.
- Hand-held shower on rail with chrome plated slide

> Hydraulic supply :

- G 1/2" (15x21), top or rear water inlet. For rear water inlet, we recommend to add the adaptation kit under the reference 91026
- On 1/2 turn tap with ceramic cartridges and flow limiter.
- On EN 1111 thermostatic mixer tap with NF check valves

> Material :

- Anodised aluminium extruded section (2.5mm thickness)
- Aluminium removable valve plate, painted RAL 7005 colour
- High resistance RAL 7005 coloured ABS covers

> Functioning:

- Wide opening panel without the need to dismantle from the wall and shower taps on a removable valve plate

> Thermal resistance :

- Resistant to a temperature of 70°C during 30 minutes (for 20 cycles) in case of thermal shocks.

> Security :

- Water network security : no cross-connection between hot water and cold water (unique Mastermix technology)
- Anti-scalding safety : flow is immediately stopped if the cold water or hot water is cut off, compliant to French norm EN1111.
- Temperature switch limiter will not deliver pre-mixed water above 38°C.

> Delivered with :

- 1/2" hoses with revolving nuts
- MM 1/2" (15x21) straight stop valves and 250 micron filters
- Fastening screws and instruction manual

> Standards & approvals :

- Brass body in accordance with EN 1982, EN 12164, EN 12165
- Chrome-plated surface treatment in accordance with EN 12540
- 200-hour neutral salt spray resistant (NSS) in accordance with ISO 9227

