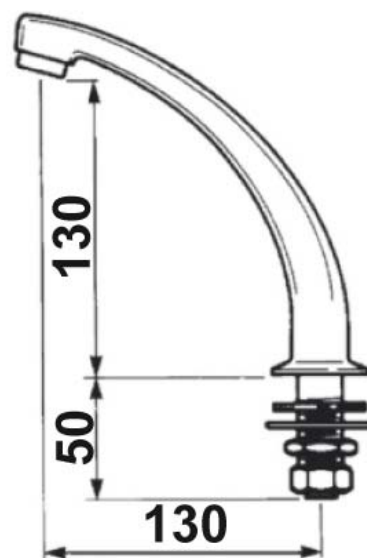


Range : Spout

Ref : 30302 - Deck-mounted spout



> **Working pressure :**

- 1 to 5 bar

> **Flow :**

- 6 l/min
- Flow limiter in option

> **Functionality :**

- Deck-mounted spout

> **Hydraulic supply :**

- M G 1/2" (15x21) - Threaded length 50 mm

> **Thermal resistance :**

- Resistant to a temperature of 75°C for 30 minute thermal shock

> **Delivered with :**

- Suitable gasket
- 1 Rose
- Aerator
- Nut

> **Standards & approvals :**

- Brass body and component in accordance with EN 1982/CC754S, NF EN 12164/CW614N, NF EN 12165/CW617N
- Molded chrome-plated body in accordance with EN 12540
- 200-hour neutral salt spray resistant (NSS) in accordance with ISO 9227

