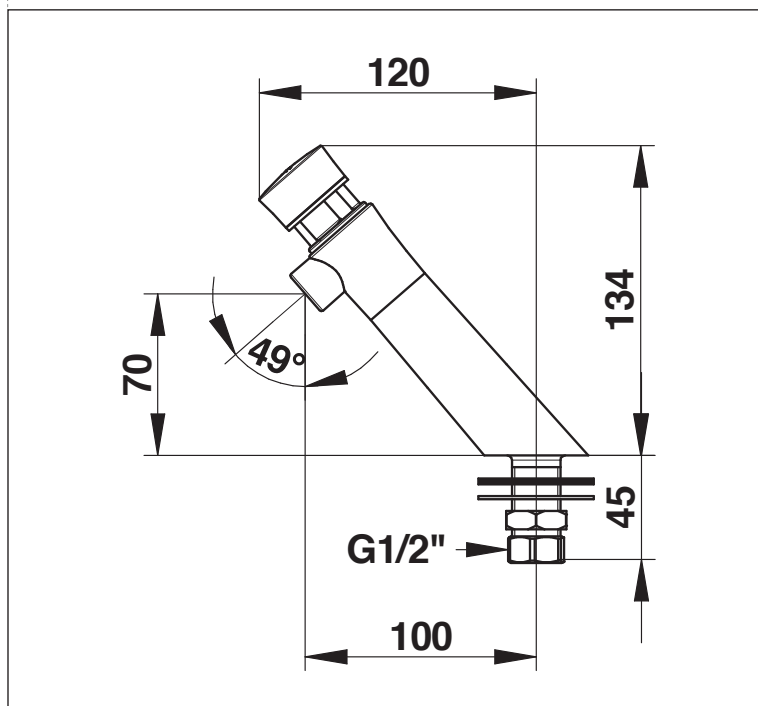


Range : Washbasin single self-closing tap

Ref : 65300 - PRESTO NEO S® deck-mounted tap



> Working pressure:

- 1 to 5 bar

> Flow:

- 3 l/min at 3 bars - 4-position setting
- Anti water-hammer system

> Flow time:

- 15 seconds ± 5 seconds

> Hydraulic supply:

- G 1/2" x 40 - hot water

> Thermal resistance:

- This tap can withstand a thermal shock of 75°C for 30 minutes as part of a thermal shock programme

> Safety:

- With S® antiblocking system to prevent blocking in continuous flow
- Interchangeable head and non-turnable push button to avoid premature wear
- Non-removable red circled marker

> Delivered with:

- 1 Nut for 12x14 tube
- 1 Fibre gasket
- 1 Stainless steel plain washer
- 1 Brass clamping nut
- 1 NBR washer
- 1 Installation manual

> Standards / Approvals:

- Chrome-plated brass body compliant with standards NF EN1982 / NF EN12164 / NF EN12165
- Nickel-Chrome surface treatment compliant with NF EN12540
- Neutral Salt Spray (NSS) resistant: 200 h according to NF ISO 9227

This document is not contractual. We reserve the right to modify the characteristics of our products without notice in advance. All our brands and models are registered trade marks.

