

1417.0050

Linear 1417.0050

Ø 50 mm horizontal drain

The odour barrier can be removed for cleaning

Can be rotated 180 degrees if a rear-facing outlet is required

Note: Odour barrier is VA-approved

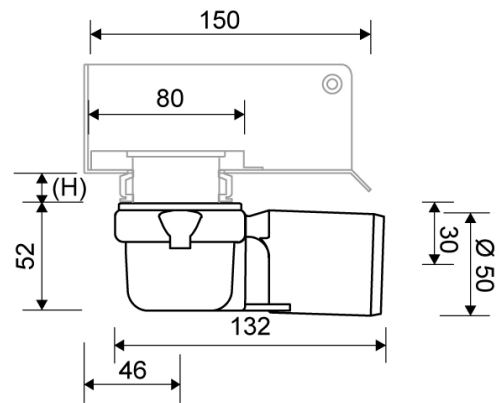
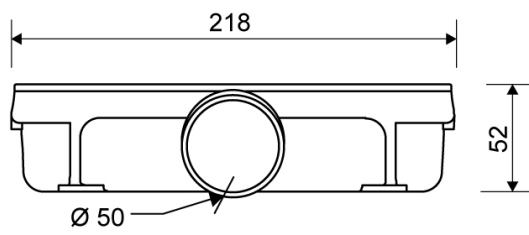
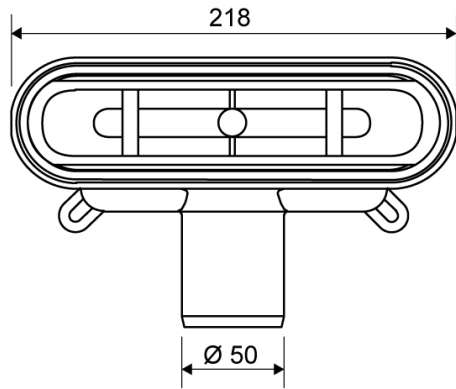


Specifications

ITEM NUMBER 1417.0050	GTIN NUMBER 5707692007915	WEIGHT INCLUDING PACKAGING 500 g
WEIGHT EXCLUDING PACKAGING 350 g	MATERIAL Plastic (PP)	USAGE Line drain
BARRIER With (odour barrier)	GASKET EPDM	CAPACITY 0.6 l/s
SIDE INLET Without	CENTER 30 mm	FITS DRAIN UNIT 1001, 1002, 1003, 1004, 1100, 3002, 3004, 5002, 5003

FITTING HEIGHTS - LINE FAUCETS 1001, 1002, 1003, 1004

Ø	Outlet direction	300	600	700	800	900	1000	1200
Ø 50 mm	Horizontal	64 mm		69 mm	70 mm	71 mm	72 mm	74 mm



1417.0050