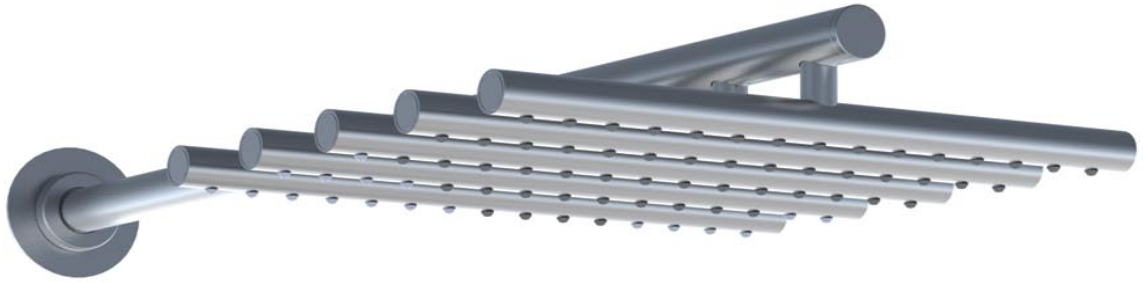


Date:

Client:

Project:



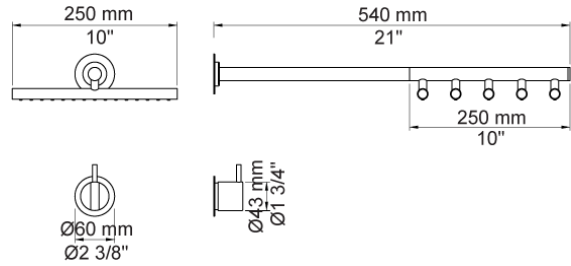
2251

One-handle build-in mixer with ceramic disc technology. 2251UP = Mixer 2200. 2251AP = Handle NR21, wall mounted head shower 050, 60 mm circular flanges 001, 2001

Flow

	Bar:	1.0	2.0	3.0	4.0	5.0
2251 ¹⁾	(l/min)	11.6	16.3	20.0	23.1	25.8

¹⁾ USA: Flow restricted to 1.8 gpm (7.0 l/min)

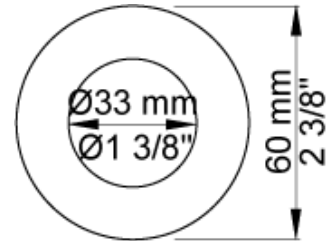


Available in colors

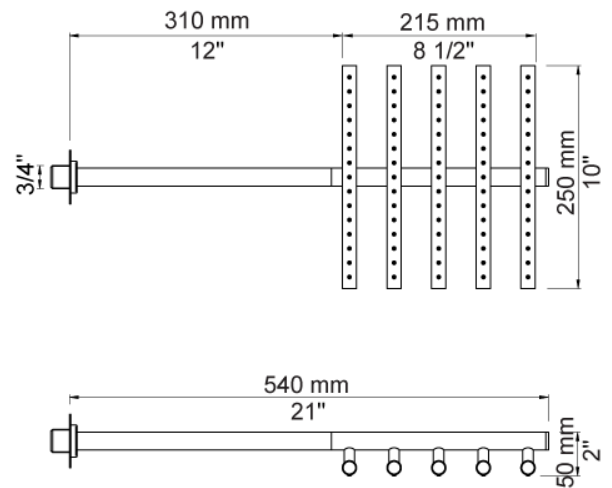
Color 02, Grey	Color 16, Polished chrome
Color 04, Light blue	Color 17, Gloss black
Color 05, Orange	Color 18, White
Color 06, Light green	Color 19, Natural brass
Color 08, Yellow	Color 20, Brushed chrome
Color 09, Dark grey	Color 21, Carmine red
Color 12, Mocca	Color 25, Pink
Color 14, Bright red	Color 27, Matt black
Color 15, Dark blue	Color 40, Brushed stainless steel



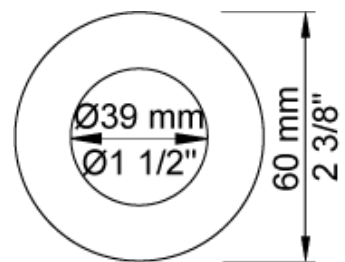
001
60 mm circular flange. Hole Ø33 mm.

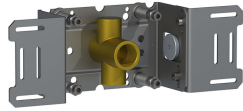


050
Head shower, wall mounted. 60 mm cover flange included. Fits 200M in an existing installation if it is from the new generation of VOLA build-in fittings after 1995.

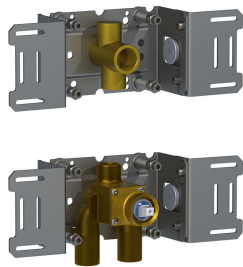
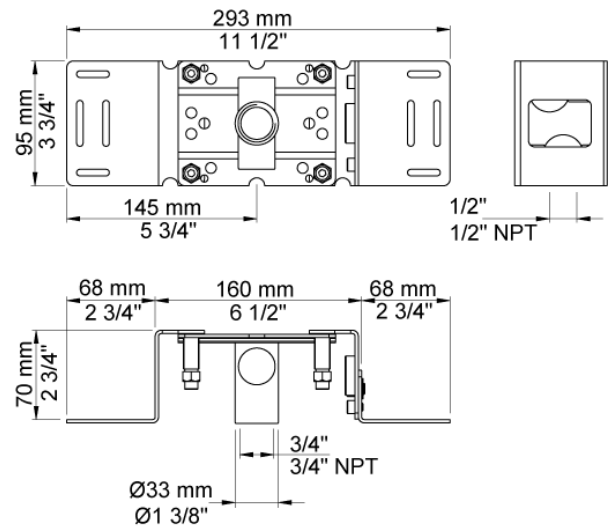


2001
60 mm circular flange. Hole Ø39 mm.

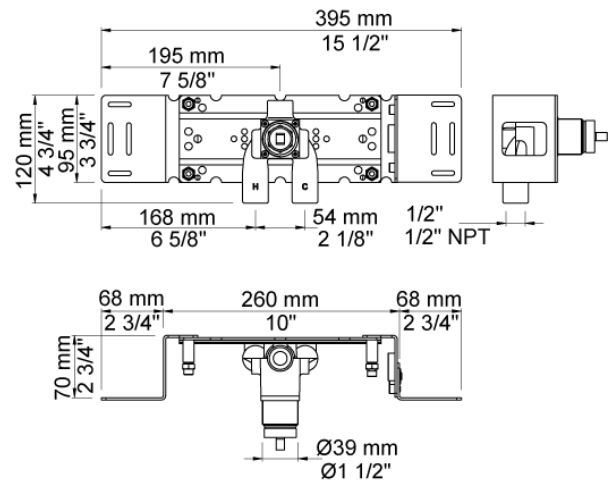




200M
Separate outlet socket. 1/2" connection to copper, steel, iron or pex pipe work.



2200
One-handle build-in mixer for high flow, including separate outlet socket, 200M. 1/2" connection to copper, steel, iron or pex pipe Work.



NR21
Operating handle for 2100, 2200, 2300, 2400 incl. variants. Ø43 mm.

