

--

Date:

Client:

Project:



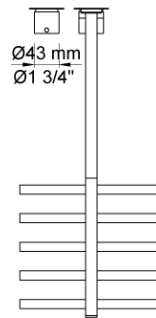
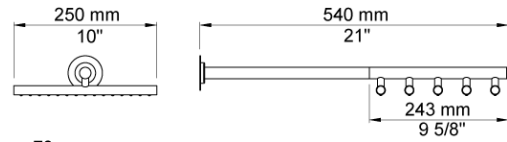
5251

¾" thermostatic mixer.5251UP = Thermostatic mixer 5200V,
200M.5251AP = Handle NR51, handle NR52, wall mounted head shower
050, 2 pcs. 60 mm circular flanges 2001, 60 mm circular flange 001.

Flow

	Bar:	1.0	2.0	3.0	4.0	5.0
5251 ¹⁾	(l/min)	13.3	18.8	23.0	26.6	29.7

¹⁾ USA: Flow restricted to 1.8 gpm (7.0 l/min)

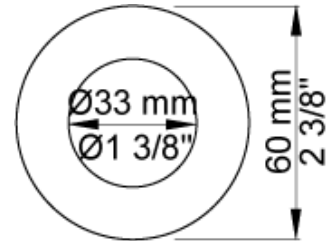


Available in colors

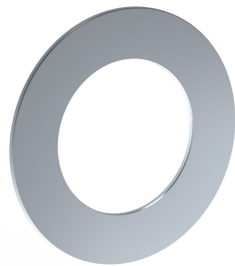
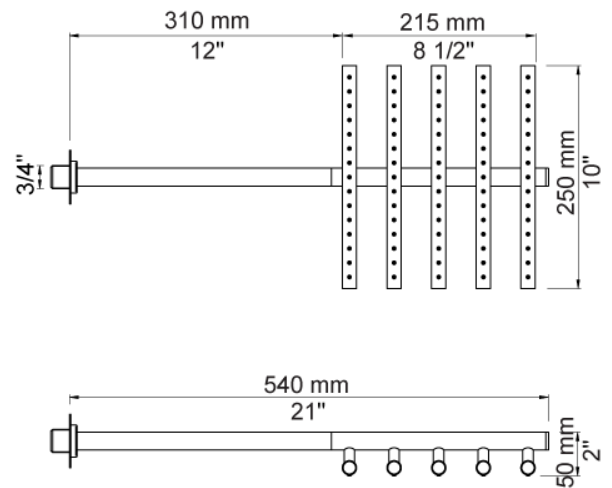
Color 02, Grey	Color 16, Polished chrome
Color 04, Light blue	Color 17, Gloss black
Color 05, Orange	Color 18, White
Color 06, Light green	Color 19, Natural brass
Color 08, Yellow	Color 20, Brushed chrome
Color 09, Dark grey	Color 21, Carmine red
Color 12, Mocca	Color 25, Pink
Color 14, Bright red	Color 27, Matt black
Color 15, Dark blue	Color 40, Brushed stainless steel



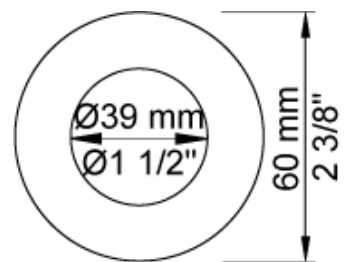
001
60 mm circular flange. Hole Ø33 mm.

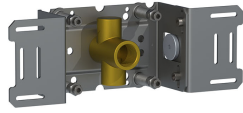


050
Head shower, wall mounted. 60 mm cover flange included. Fits 200M in an existing installation if it is from the new generation of VOLA build-in fittings after 1995.

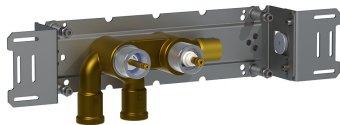
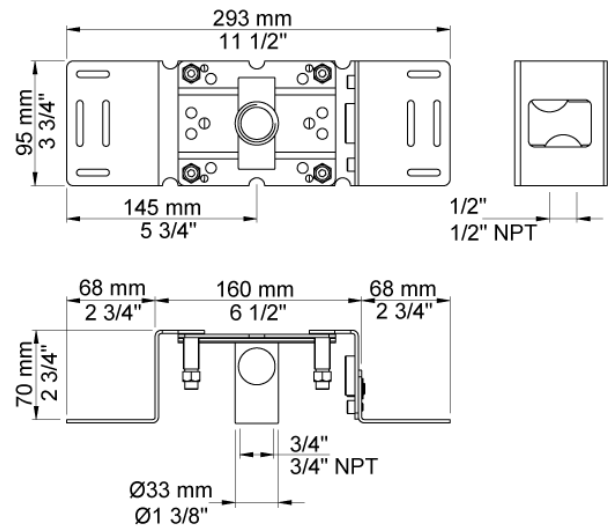


2001
60 mm circular flange. Hole Ø39 mm.

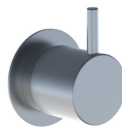
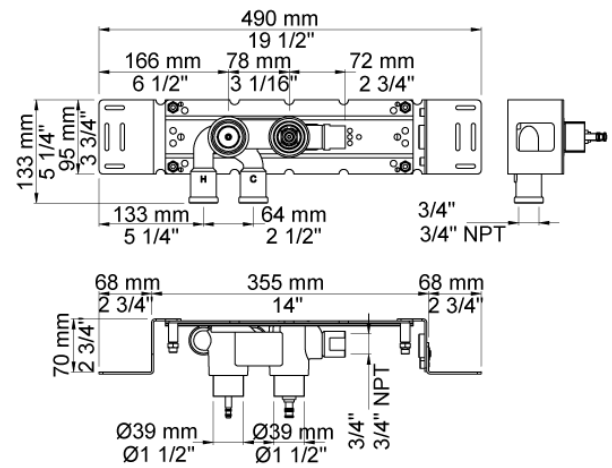




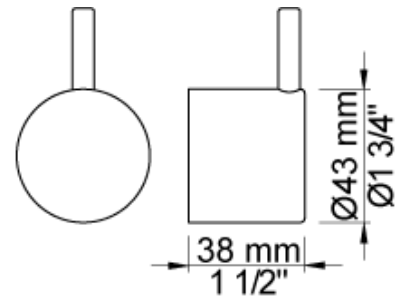
200M
Separate outlet socket. 1/2" connection to copper, steel, iron or pex pipe work.



5200V
Thermostatic mixer without outlet socket. 3/4" connection to copper, steel, iron or pex pipe work.



NR51
On/off handle for 5000 and 6000.





NR52
Thermostatic handle for serie 5000.

