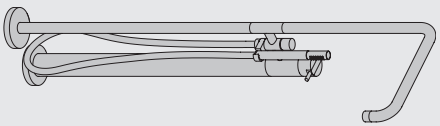


VOLA FS1

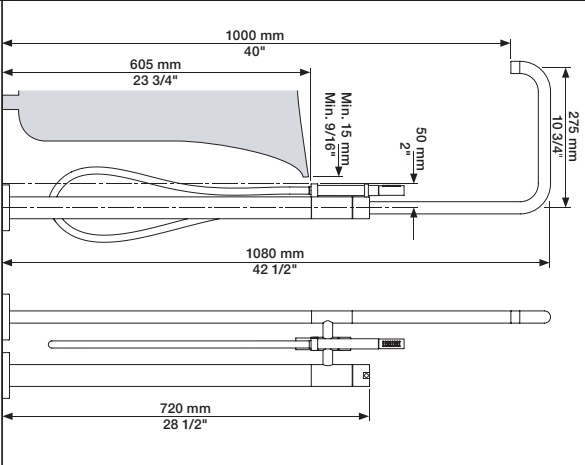
Fitting instruction
Montageanleitung
Montersvejledning
Manuel de montage

FS1	Bar:	1	2	3	4	5
(l/min)	14-4	20-4	25	29	32-3	
(Gal/min)	3.8	5.4	6.6	7.7	8.3	
(l/min)	9	9	9	9	9	
(Gal/min)	2.4	2.4	2.4	2.4	2.4	

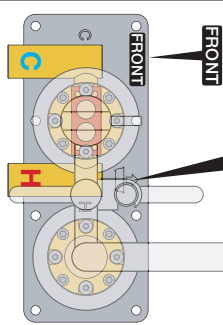
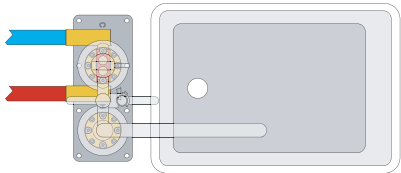
Max. 65°C, 150°F



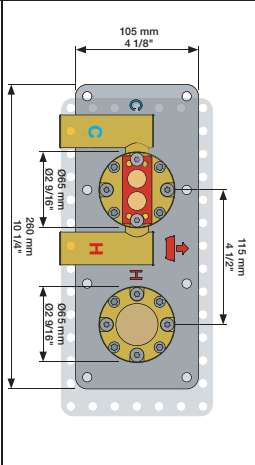
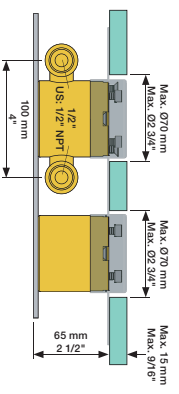
www.vola.com
mnl_FSI_V3_40600108



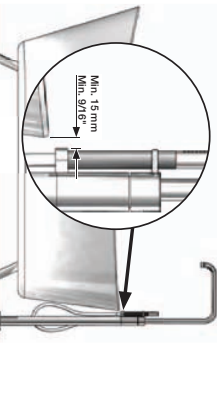
1



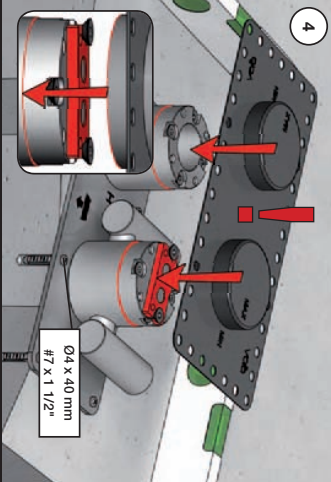
2



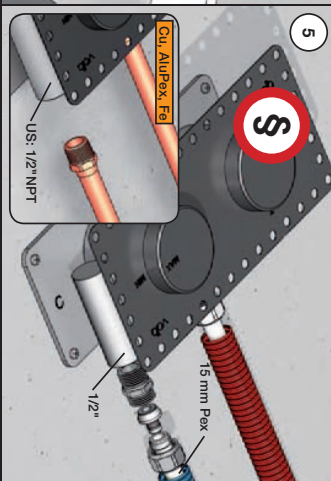
3



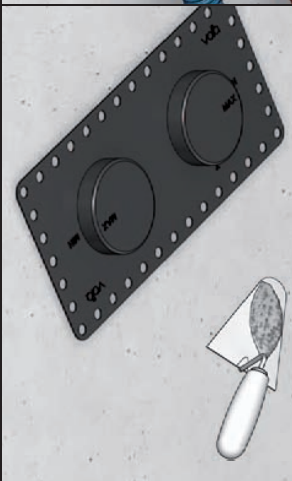
4



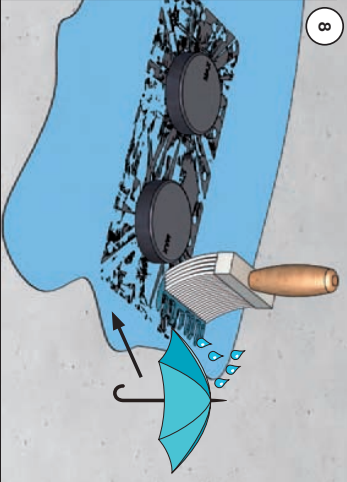
5



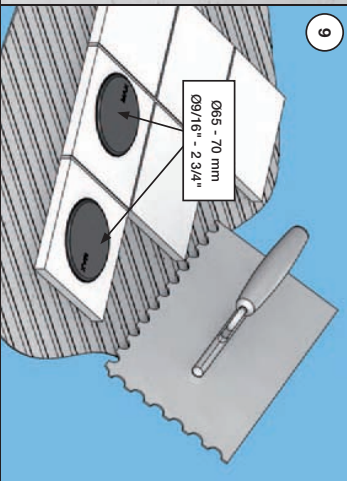
7



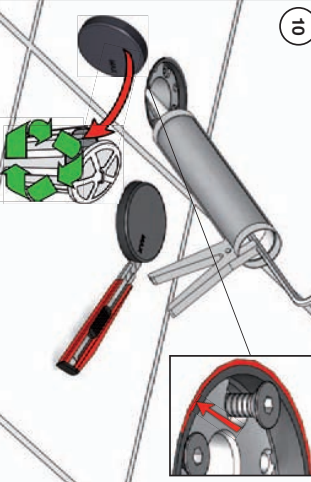
8



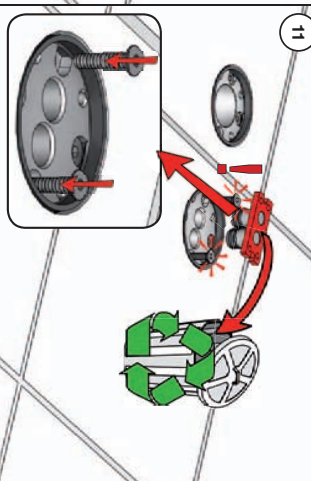
9

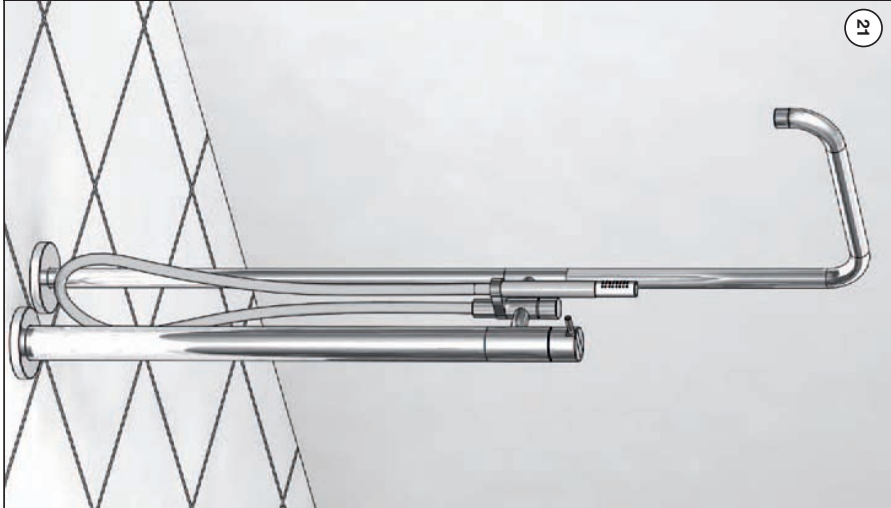
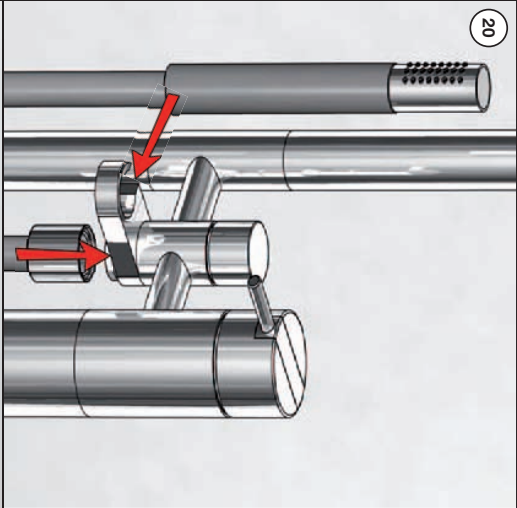
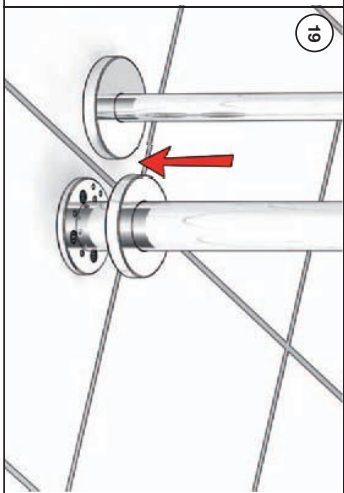
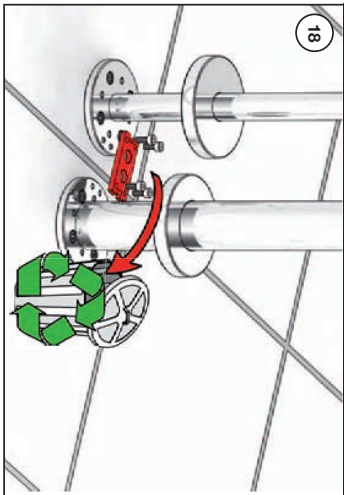
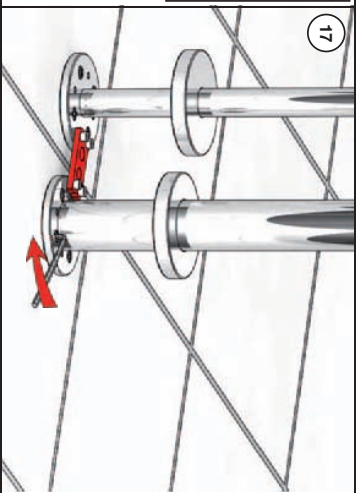
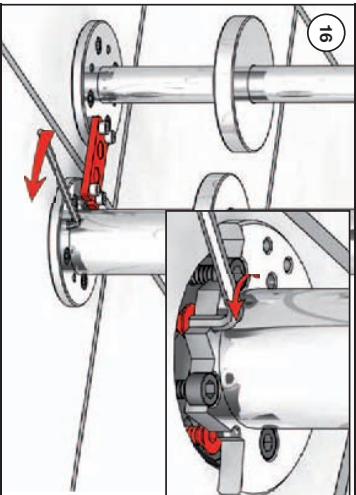
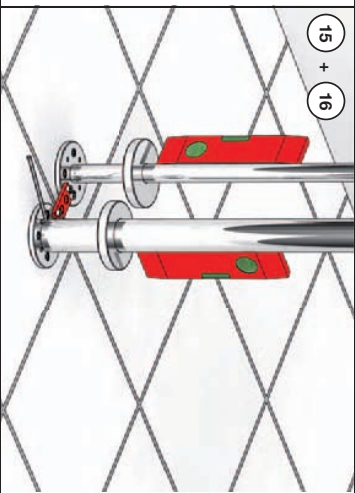
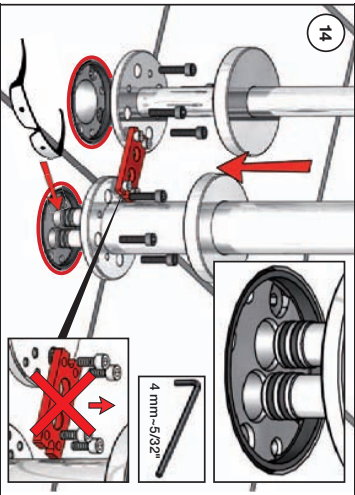
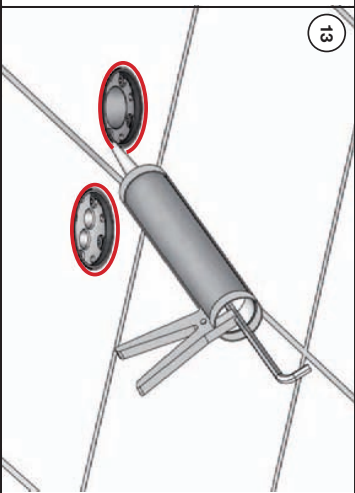
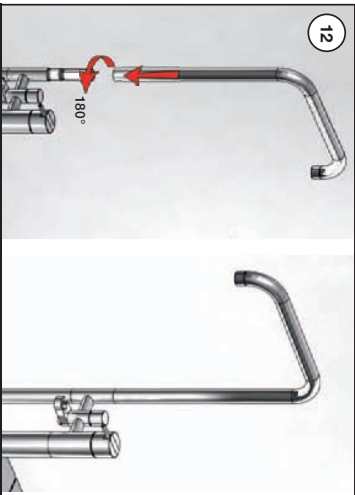


10



11



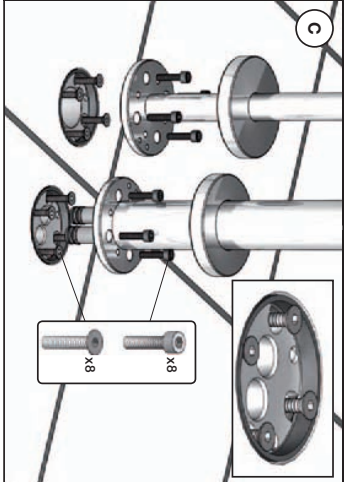
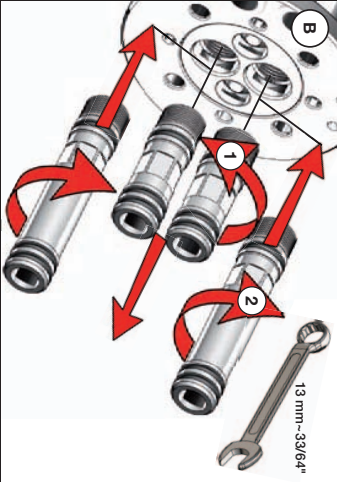
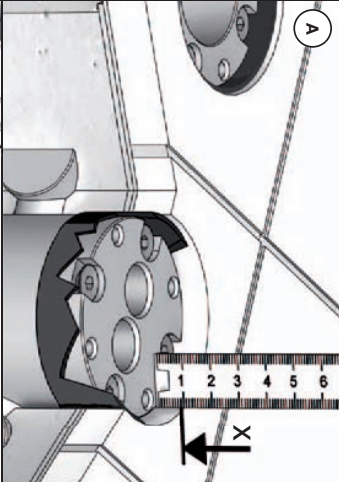
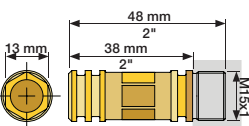


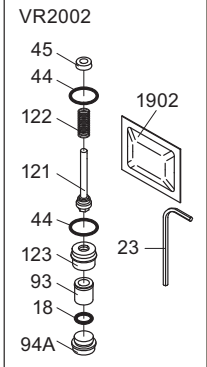
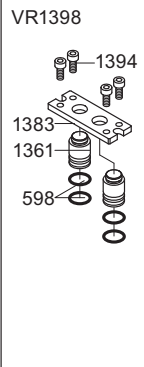
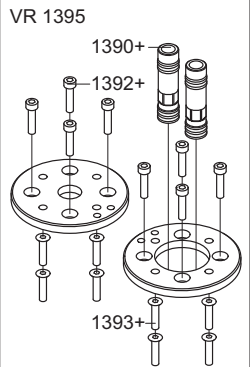
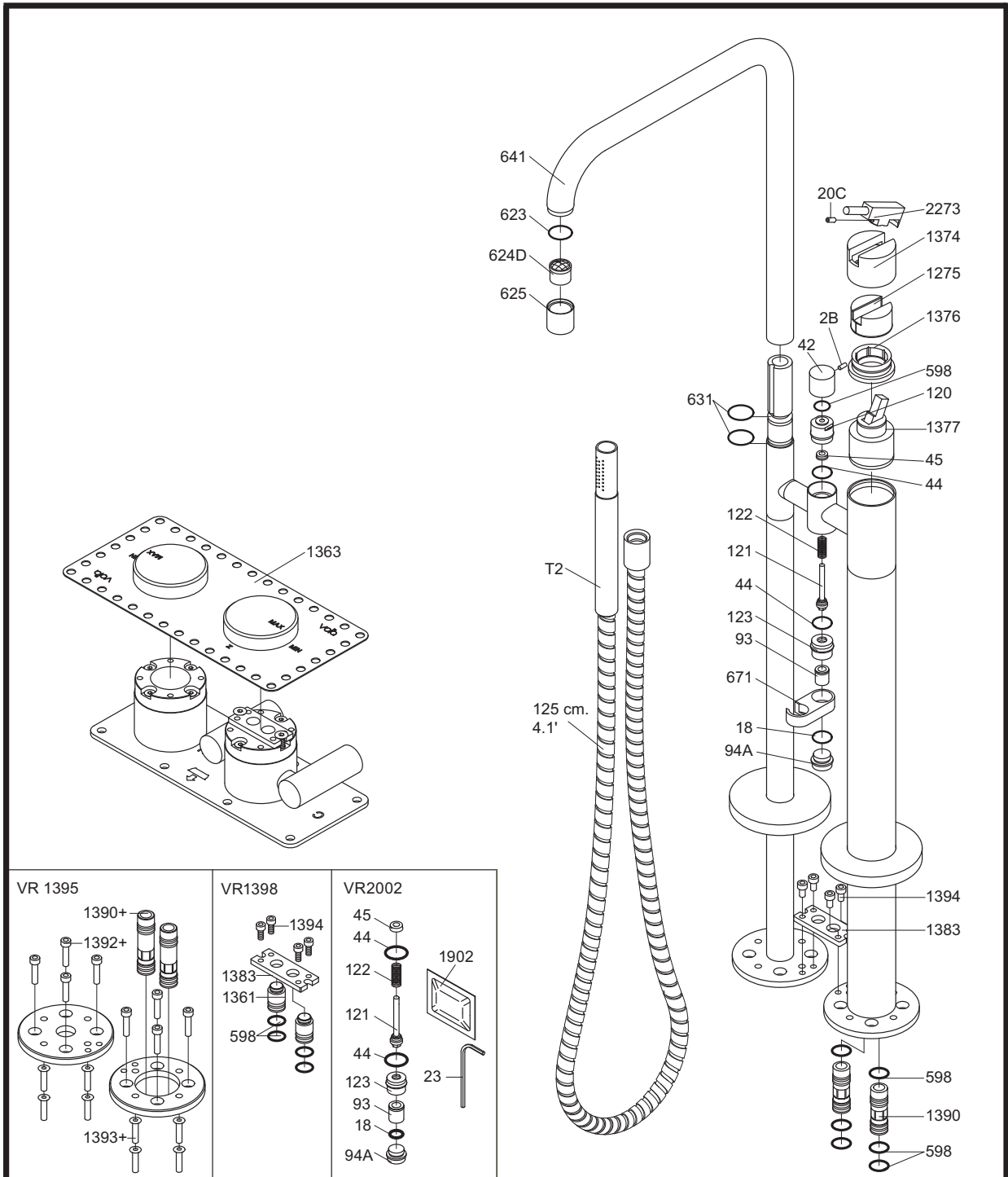
Extension
Verlängerung
Forlängelse

X:	3 - 15 mm 2/16" - 9/16"	Standard
	15 - 25 mm 9/16" - 1"	VR1-395+15
	25 - 35 mm 1" - 1 3/8"	VR1-395+30
VR1395		

Forlängning
Verlängerung

Standard:





- VR010D: VR623, VR624D
 VR1395: 6xVR598, 2xVR1390+, 8xVR1392+, 8xVR1393+
 VR1398: 4xVR598, 2xVR1361, VR1383, 4xVR1394
 VR2002: VR23, 2xVR44, VR45, VR93, VR94A, VR123, VR1902

VOLA A/S
 Lunavej 2
 DK-8700 Horsens
 Tlf : + 45 7023 5500
 Fax: + 45 7023 5511
 sales@vola.com
 www.vola.com

VOLA FS1

Dato	Nov. 10
Rev.	2
Blad	SB 53