

--

Date:

Client:

Project:



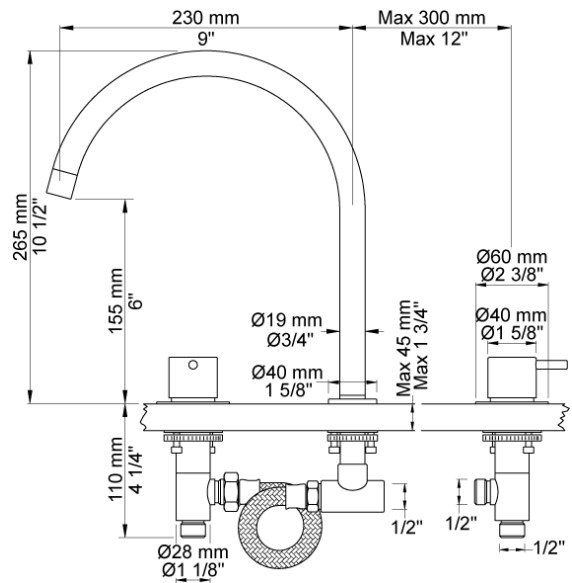
KV15

Three-hole mixer combination consisting of ¼ turn ceramic stop valves S50D + S50DH, swivel spout 090H with water saving aerator, 2 pcs. 60 mm circular flanges 001. Inlet/Outlet: ½". Hole cut out size, valves: 30 mm. Hole cut out size, spout: 22 mm.

Flow

	Bar:	1.0	2.0	3.0	4.0	5.0
KV15 ¹⁾	(l/min)	2.3	3.3	4.0	4.0	4.0
KV15	(l/min)	4.8	6.8	8.3	8.3	8.3

¹⁾ USA Standard

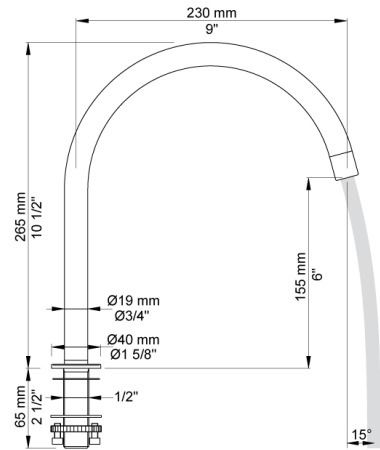


Available in colors

Color 02, Grey	Color 16, Polished chrome
Color 04, Light blue	Color 17, Gloss black
Color 05, Orange	Color 18, White
Color 06, Light green	Color 19, Natural brass
Color 08, Yellow	Color 20, Brushed chrome
Color 09, Dark grey	Color 21, Carmine red
Color 12, Mocca	Color 25, Pink
Color 14, Bright red	Color 27, Matt black
Color 15, Dark blue	Color 40, Brushed stainless steel



090H
Swivel spout. Hole cut out size: 22 mm.



S50
Stop valve with 1/4 turn ceramic disc technology. Includes non-return valve and 1/2" inlet/outlet. Hole cut out size: 30 mm.

