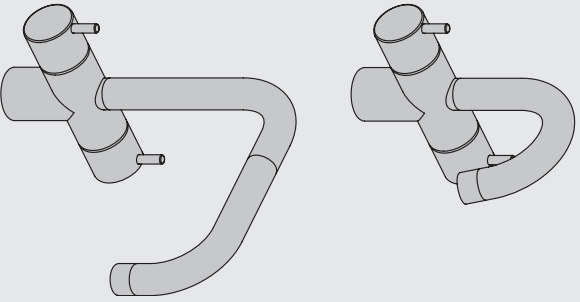
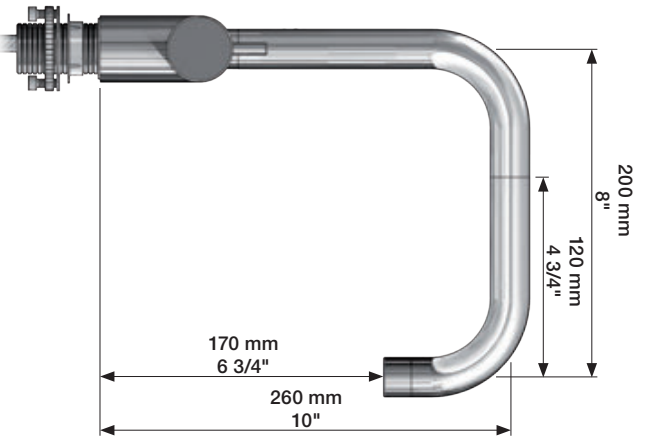
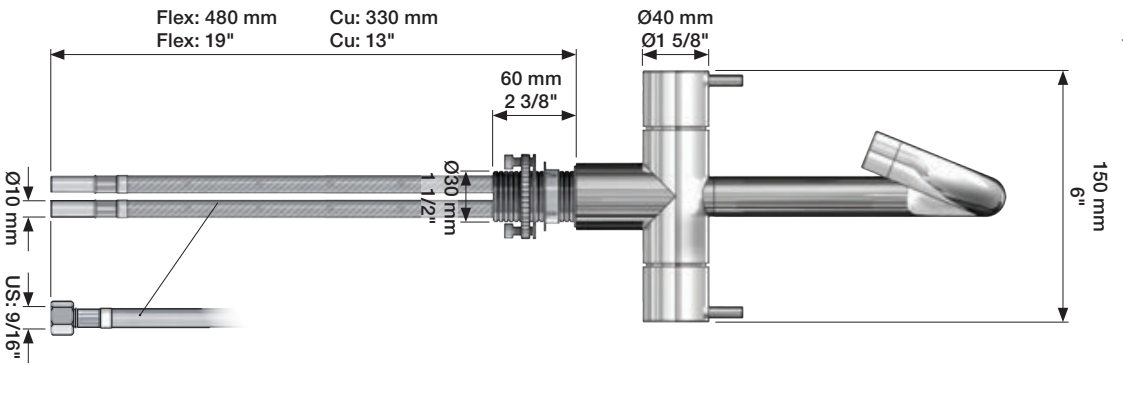


**VOLA HV6, HV7
VOLA KV6, KV7**

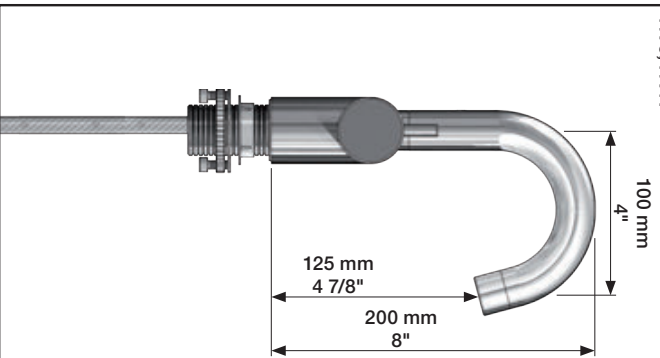
Fitting Instruction
Montageanleitung
Monteringsvejledning
Monteringssvågledning
Montage handleiding
Manuel de montage



KV6, KV7:



HV6, HV7:

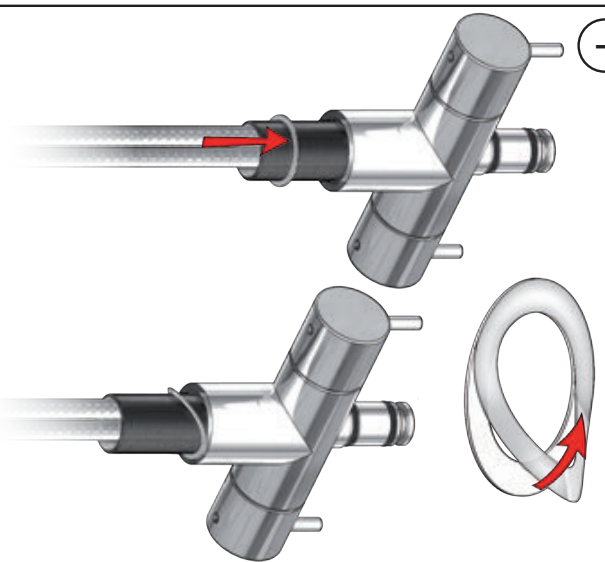


Data, 3 Bar /43.5 Psi: (Min. 0.5 - Max. 8 Bar)

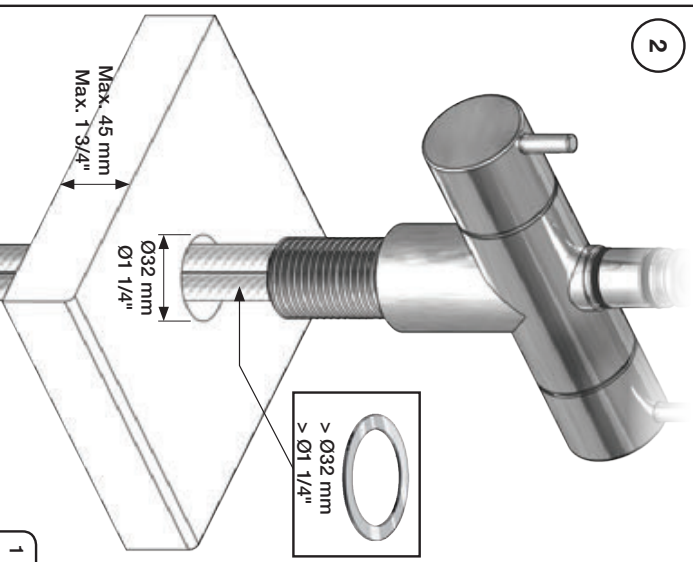
Max.	l/min.	Gal/min.
HV6/7:	9.0	2.0
KV6/7	9.0	2.0

Max: 70°C, 158°F

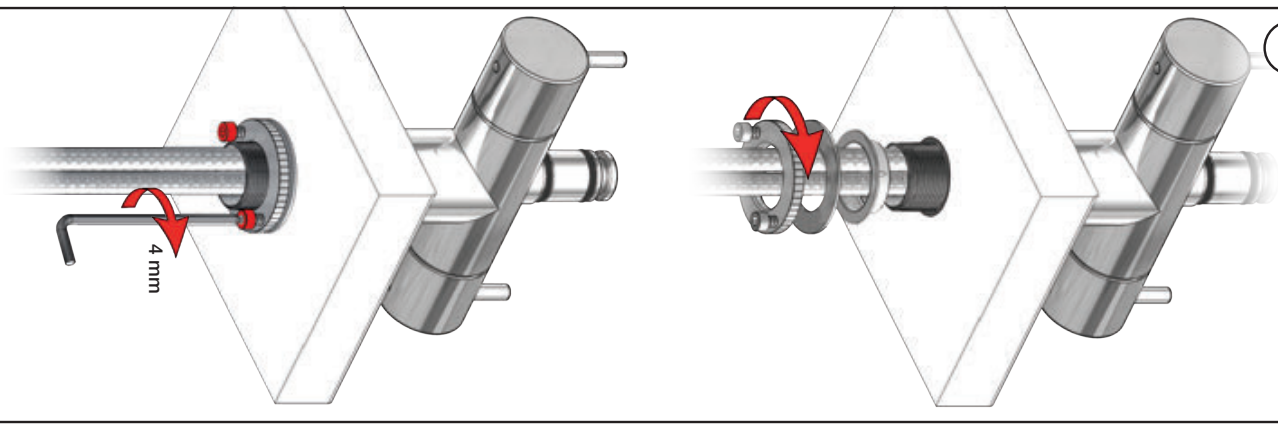
1



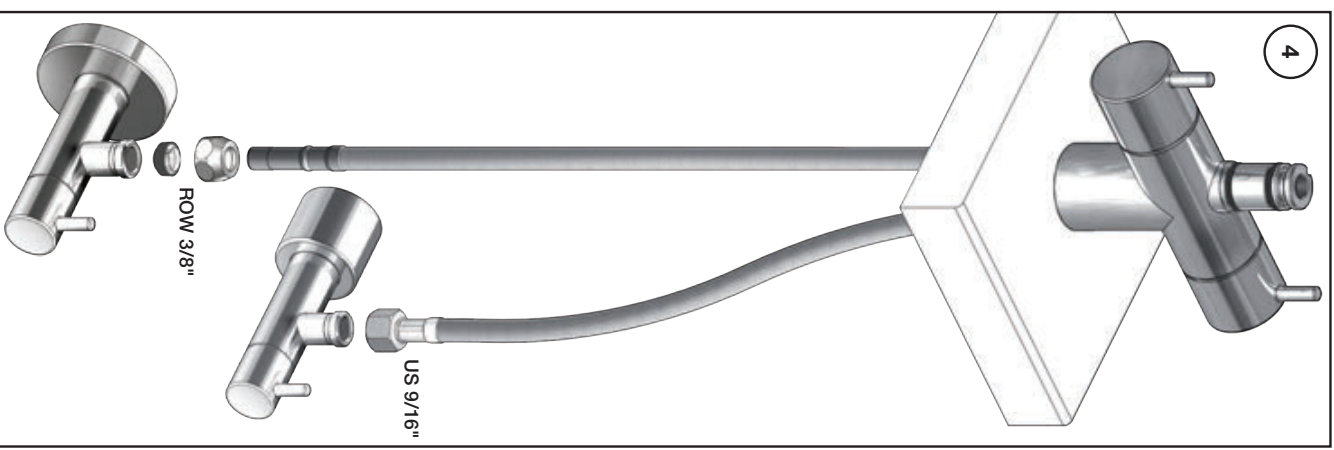
2



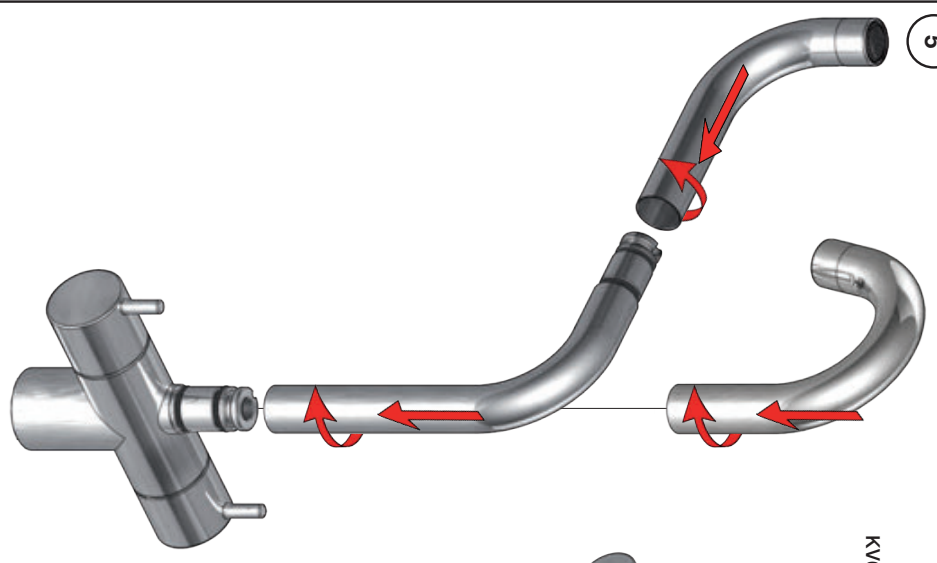
3



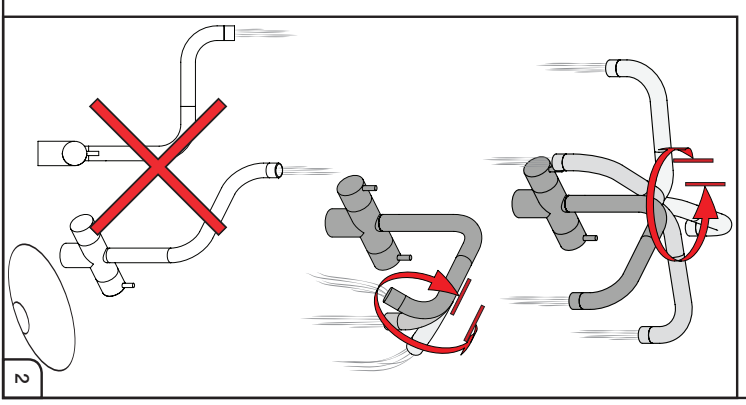
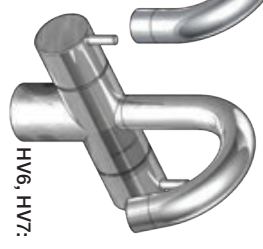
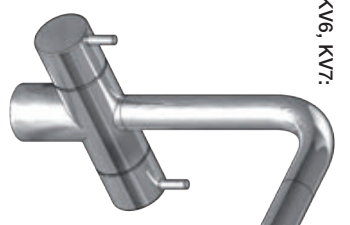
4



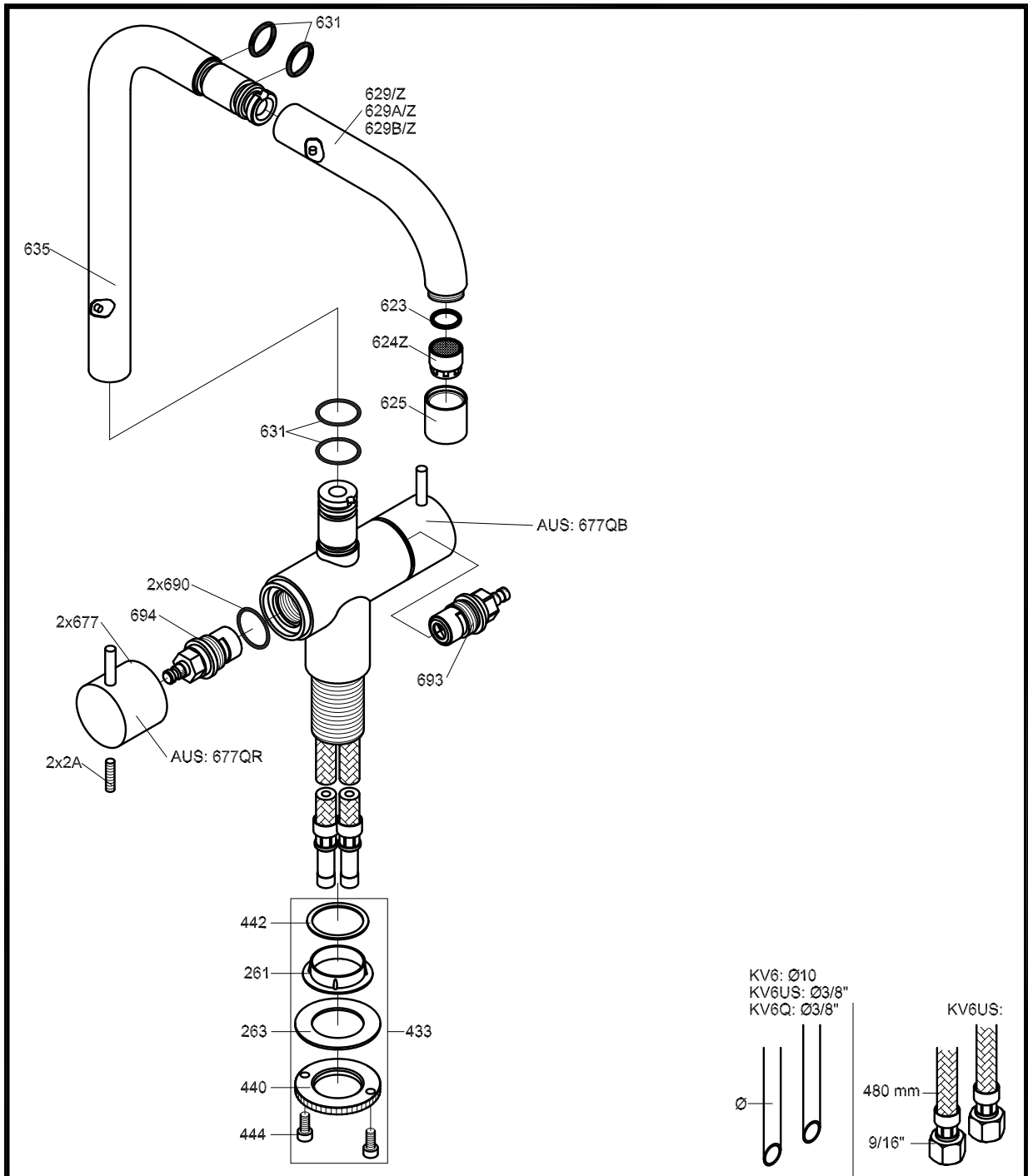
5



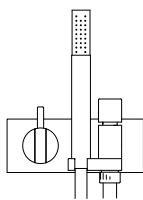
KV6, KV7:



2



- VR010Z: VR623, VR624Z
- VR693K: VR23, VR693
- VR694K: VR23, VR694
- VR433: VR261, VR263, VR440, VR442, 2xVR444



VOLA A/S
 Lunavej 2
 DK-8700 Horsens
 Tlf : +45 70235500
 Fax: +45 70235511
 sales@vola.dk
 www.vola.com

Vola KV6

VOLA FKV6 VOLA KV6Q
 VOLA FKV6\$
 VOLA KV6\$

Dato:
 Sep. 09
 Rev:
 5
 Blad:
 SB47